



SPARE PARTS EXPLODED VIEW  
STORAGE ELECTRIC WATER HEATERS

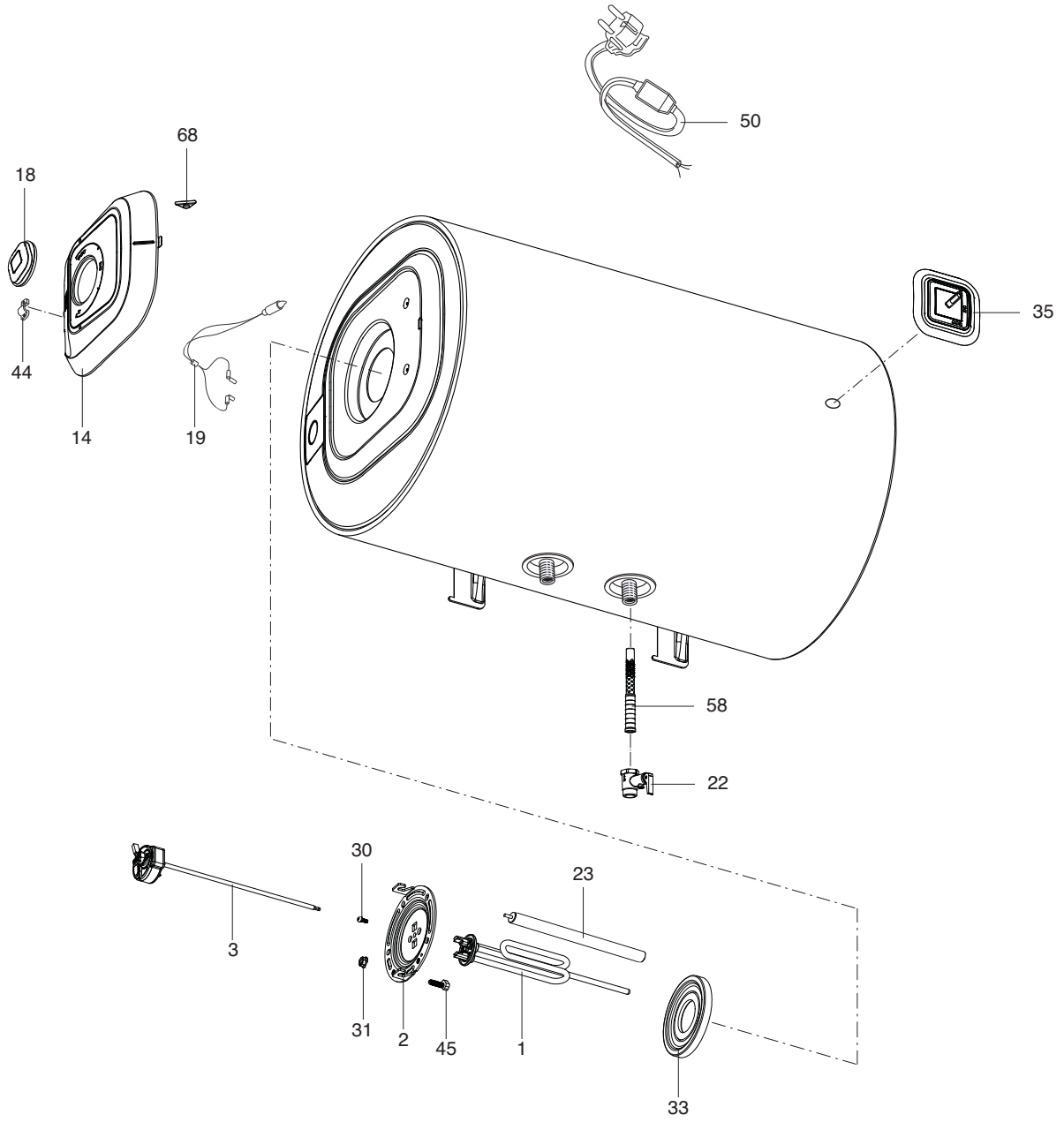
Model  
**PRO1 H**

R8218023-02 - 11/06/2018

PRO1 H

Storage Electric Water Heaters

1	3201830	PRO1 R 50 H	05-2018	-
2	3201831	PRO1 R 80 H	05-2018	-
3	3700565	PRO1 R ABS 80 H	06-2018	-
4	3201832	PRO1 R 100 H	05-2018	-
Col	Reference	Model type	Begin	End







Достоверную информацию уточняйте на [santehnica.ru](http://santehnica.ru).