

Product: **KLUDI Objekta thermostatic bath & shower mixer DN 15**

Ref.: **352010538**

Product description

thermostatic bath & shower mixer DN 15
 wall fastening
 temperature control handle with hot water safety device 38°C
 with ceramic shut-off valve as rotary valve 90°/90°
 shower outlet G 1/2
 Bath rotary valve behind
 Shower rotary valve in front
 Aerator M28 x 1D
 Flow rate bath 23,8 l/min. at 3 bar
 Flow rate shower 18,7 l/min. at 3 bar
 protected against back flow
 dirt-catcher sieve
 S unions 1/2 x 3/4 inch
 without shower set

Finishes:
 05 chrome

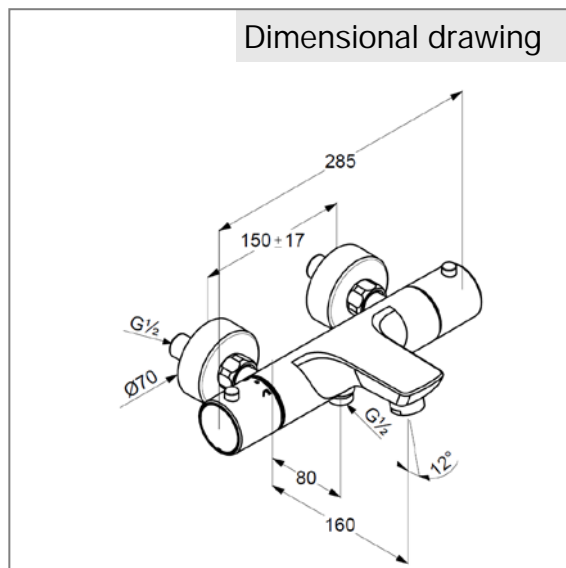
Advertisement

Thermostatic bath & shower mixer, manufacturer KLUDI GmbH & Co KG KLUDI
 Objekta thermostatic bath & shower mixer item no. 352010538, DN 15, chrome plated brass, ceramic shut off as rotary valve 90°/90°, solid handle, noise level DIN EN 4109 group I, temperature control handle with hot water safety device 38 °C, type: thermostat bath & shower mixer DN 15, flow rate bath 23,8 l/min. at 3 bar, shower 18,7 l/min. at 3 bar, shower outlet 1/2 inch, protected against back flow DIN EN 1717, S unions 1/2 x 3/4 inch, dirt-catcher sieve, projection 79/103 mm, for pressure type water heater, for continuous line heater, PN 10,

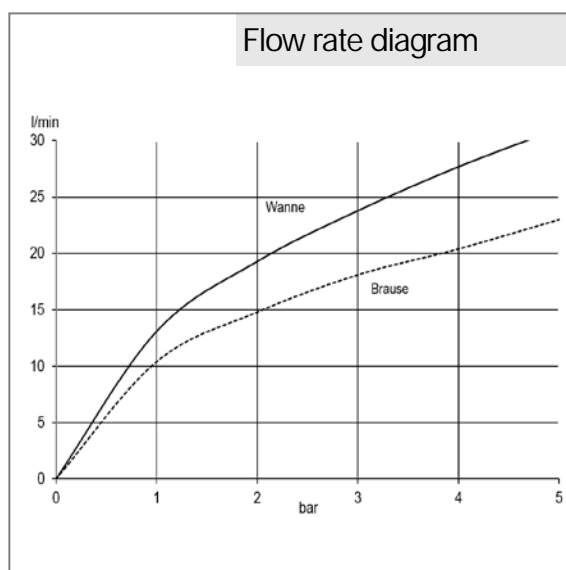
Product picture



Dimensional drawing



Flow rate diagram



Достоверную информацию уточняйте на santehnica.ru.