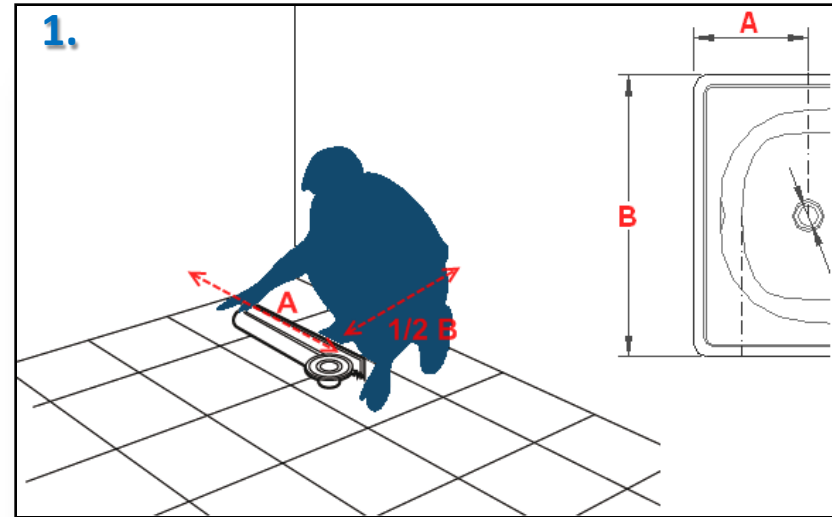


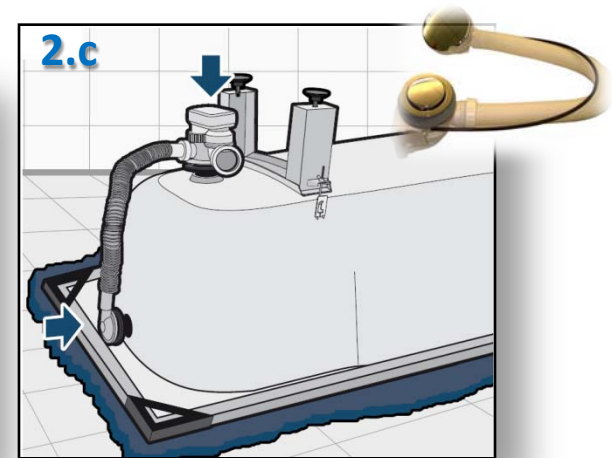
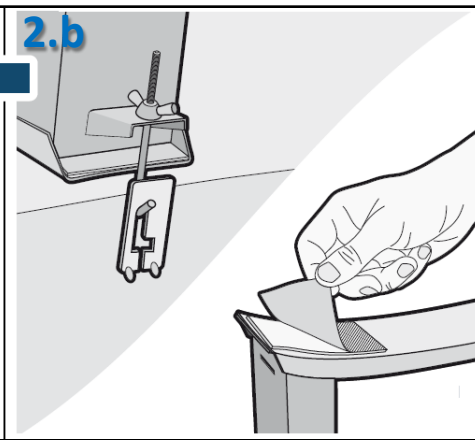
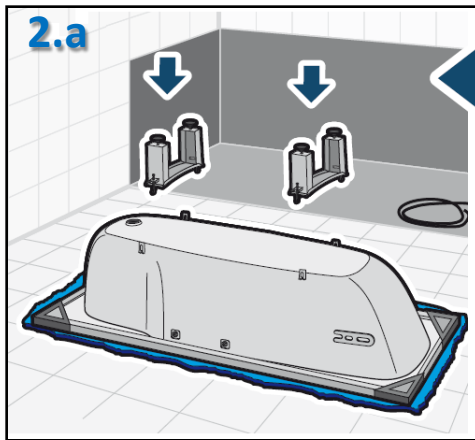


# Assembly instructions for steel bathtubs

- Bathtubs with metal feet



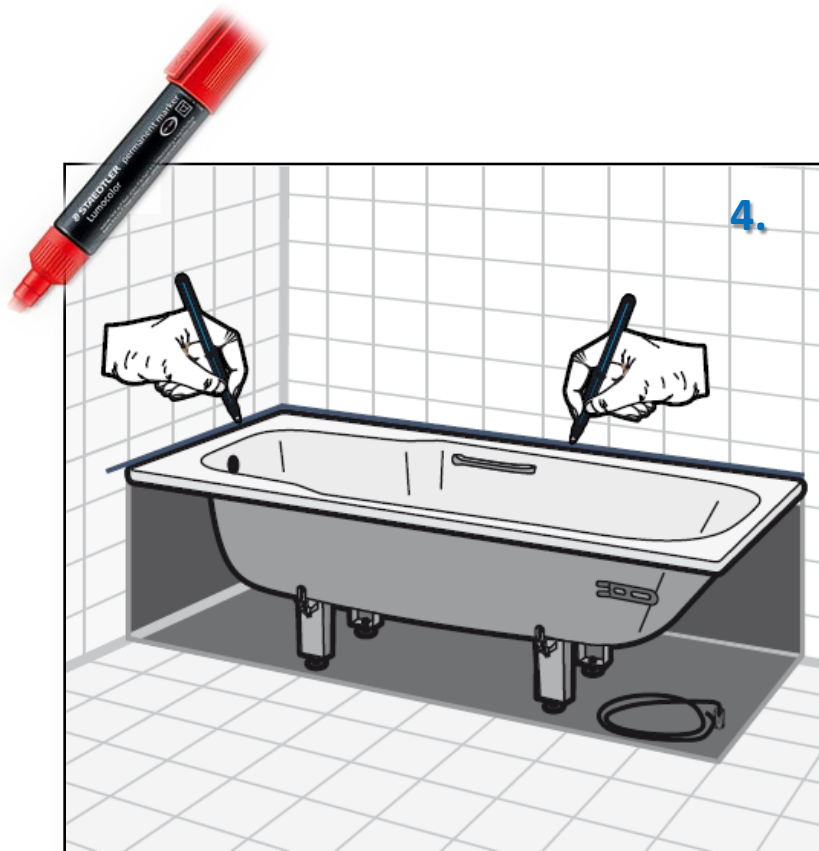
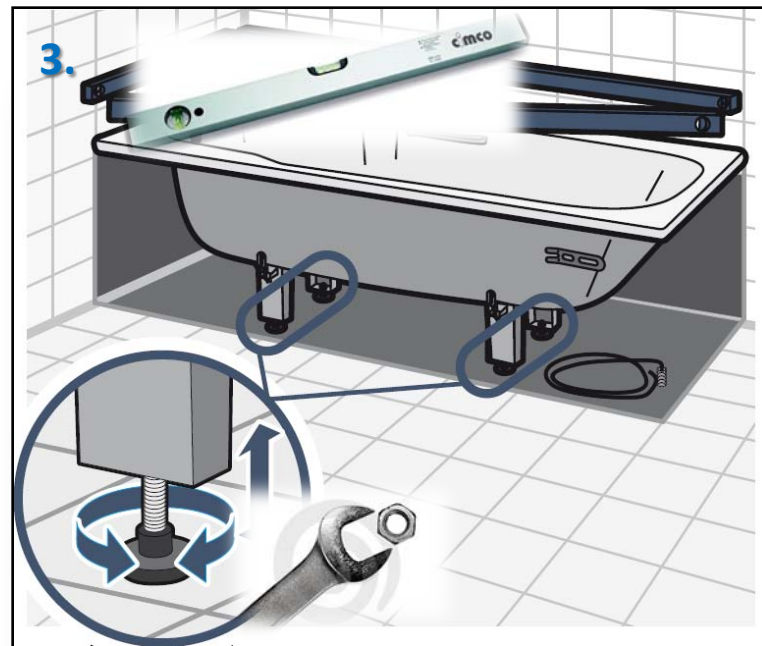
1. Before starting installation of the bathtub be sure to properly prepare the waste pipe



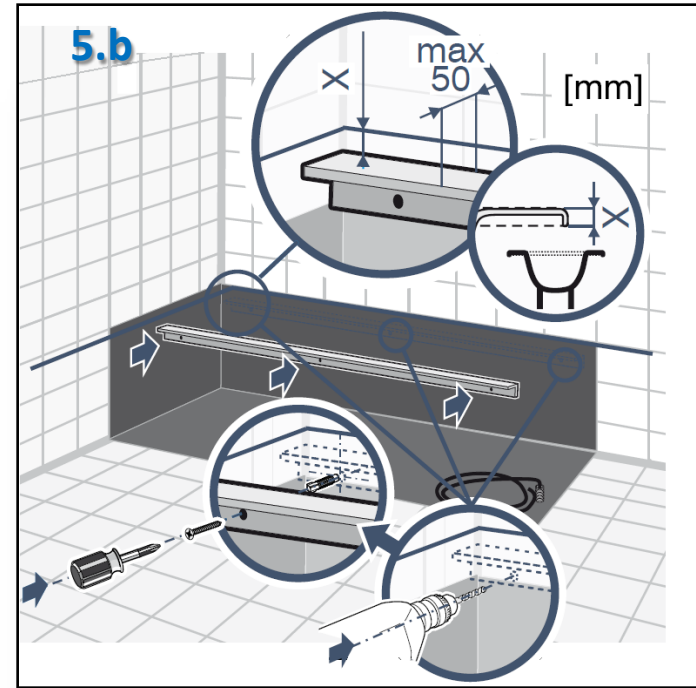
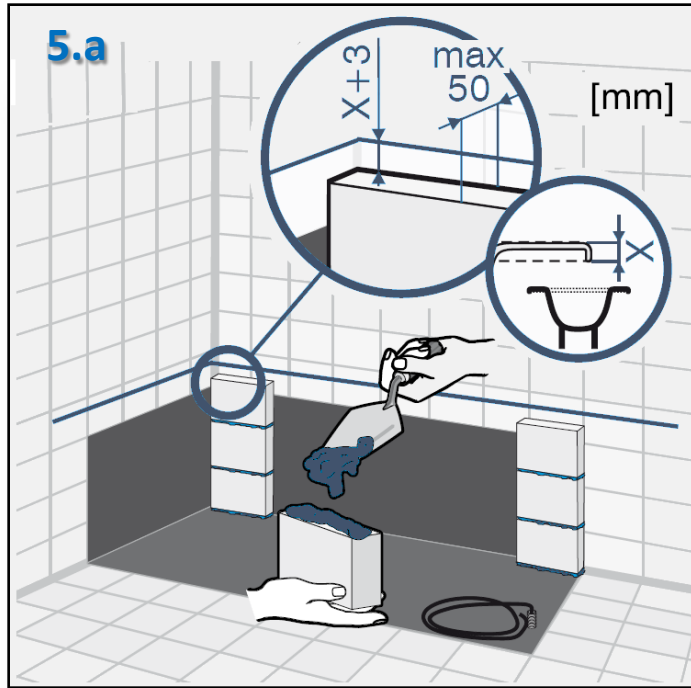
2. Install the bathtub feet and waste valve according to supplied instructions.



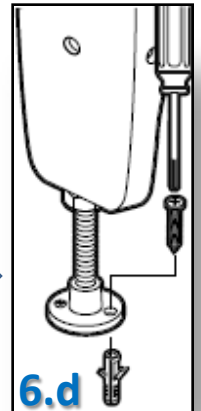
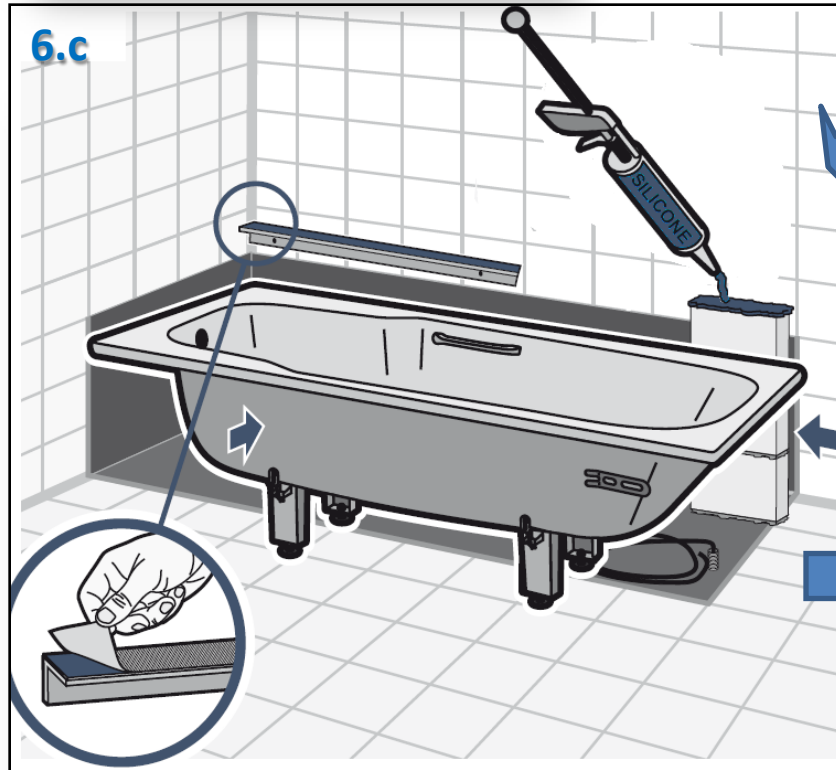
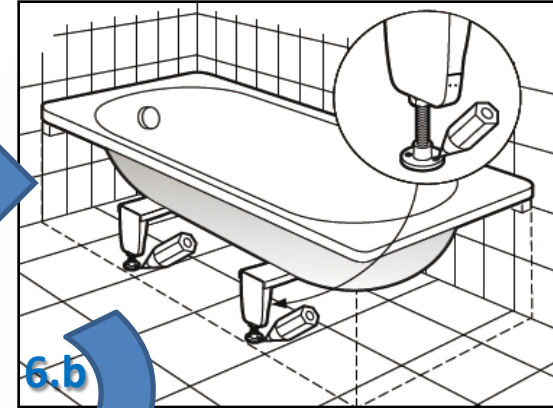
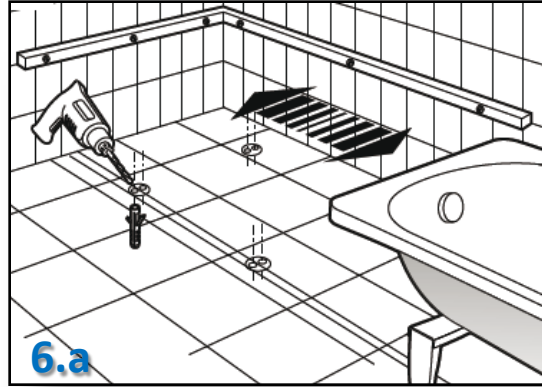
3. Place the bathtub at the selected position and level with the screwed level situated at the foot base, use an accurate equipment.



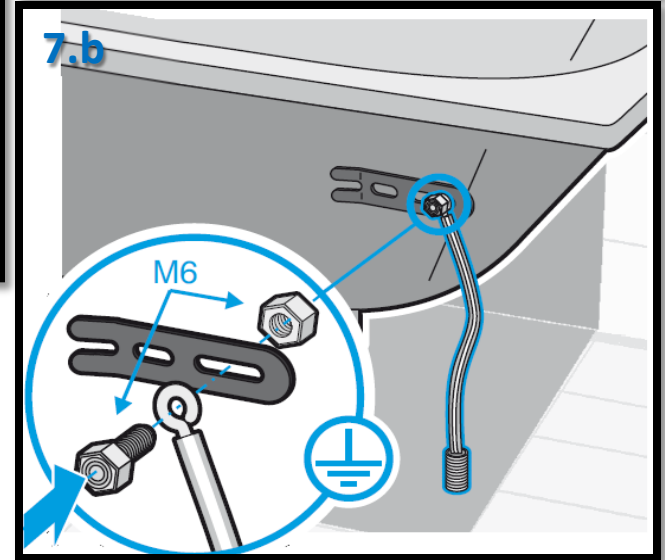
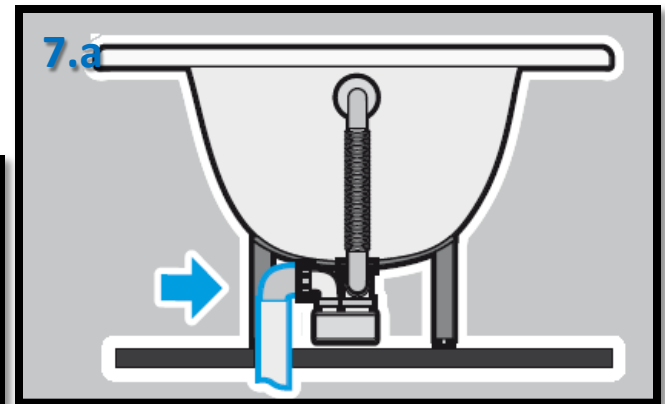
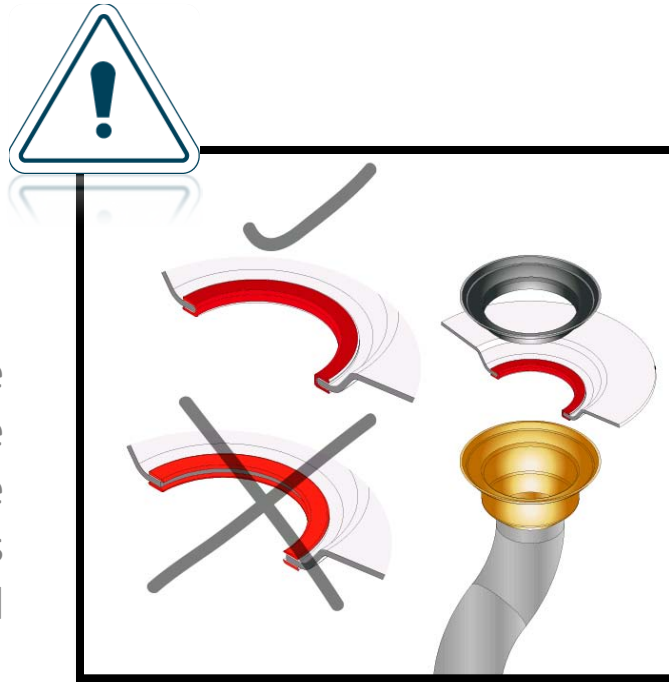
4. After levelling the bathtub, mark the height of the bathtub on the wall using a proper marker



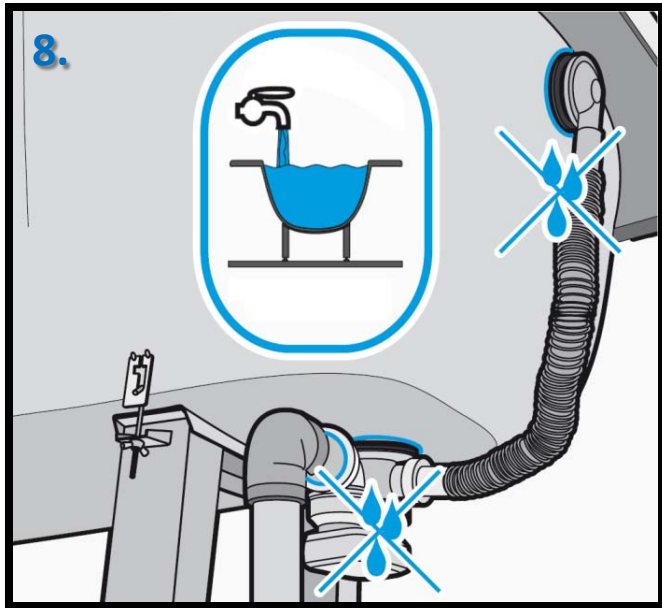
5. The bathtub should be sustained mainly on the sides against the wall. The installer can choose to sustain in brickwork (5.a), by means of an outline or metallic tube or with a wooden beam fixed to the wall (5.b).



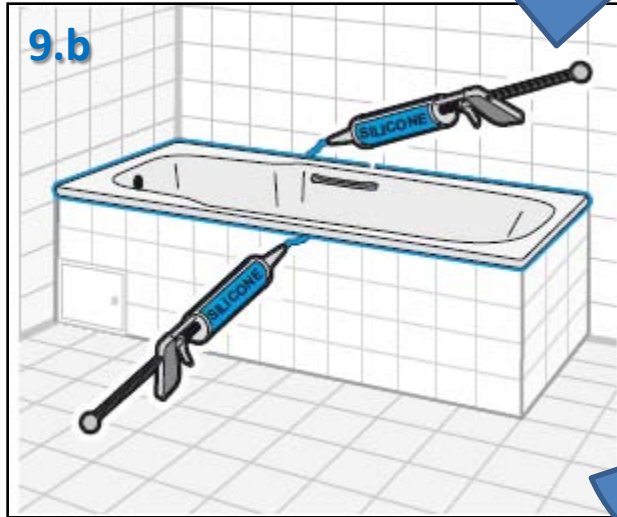
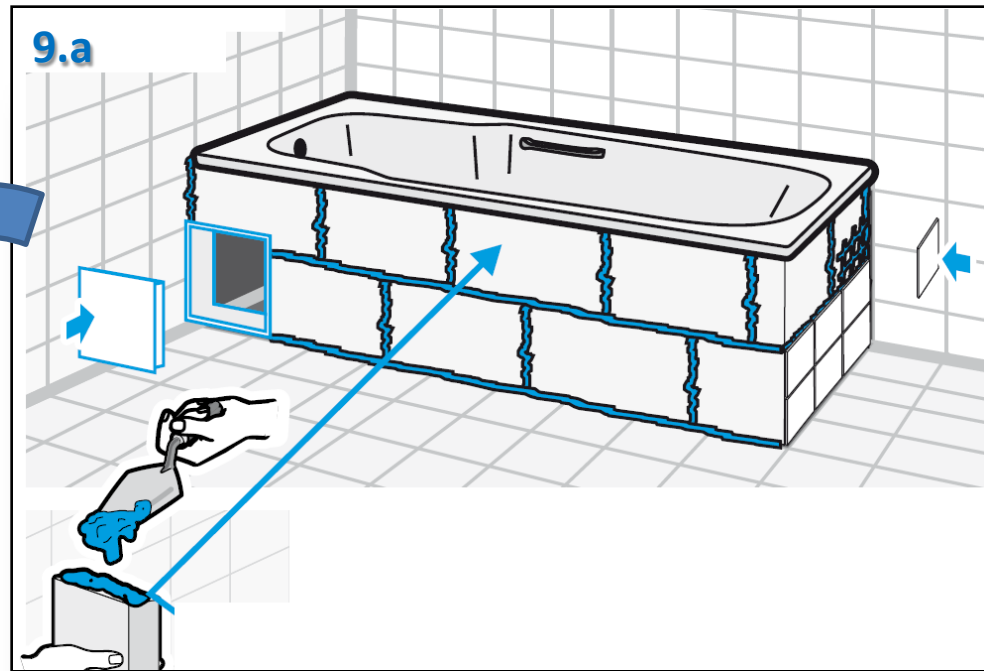
6. After conclusion of the supports, place the bathtub at its definite position and fix the bath feet to the surface.



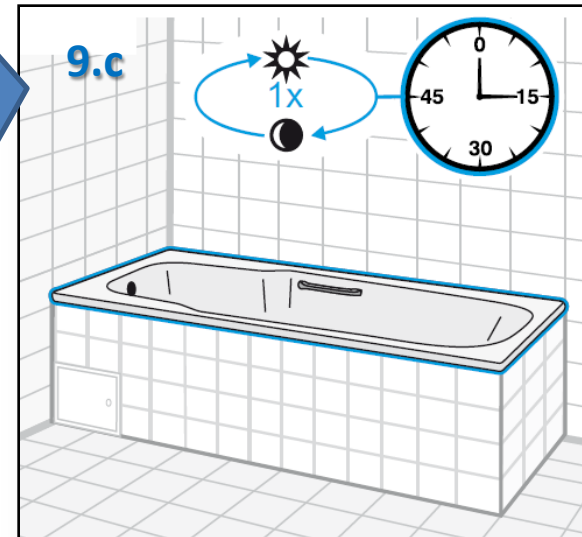
7. After securing the bathtub make the water and wastepipe connections as well as the equipotential connection.



8. Once the connections are completed fill the bathtub with water, wait for about 2 hours and check for water leaks.



9. When building the surrounding wall be sure to allow for an access to the wastepipe valve. All the points of contact between the bathtub and the side walls should be done with silicone. The bathtub should only be used after 24h.



End of  
the joob

Достоверную информацию уточняйте на [santehnica.ru](http://santehnica.ru).