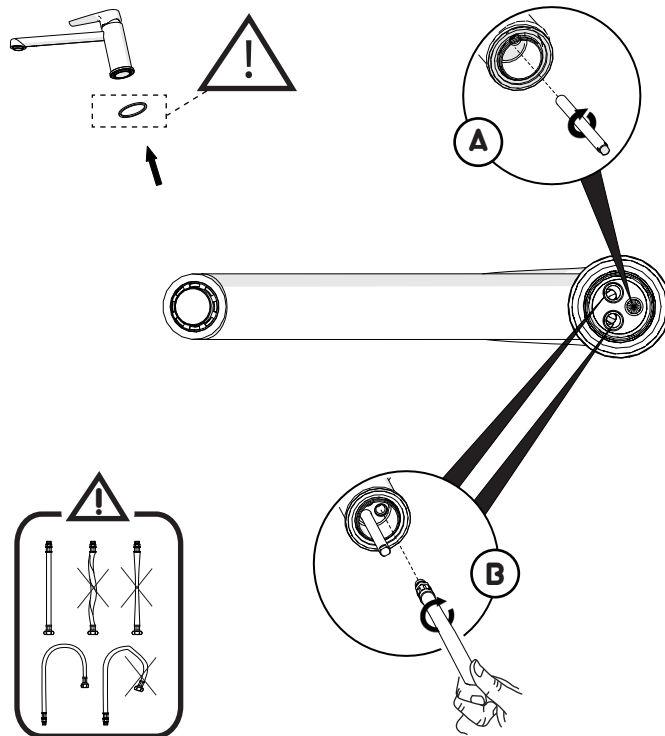


Not included / Non incluso / Non Inclus / Nie zawarty / No incluido / Nao incluido

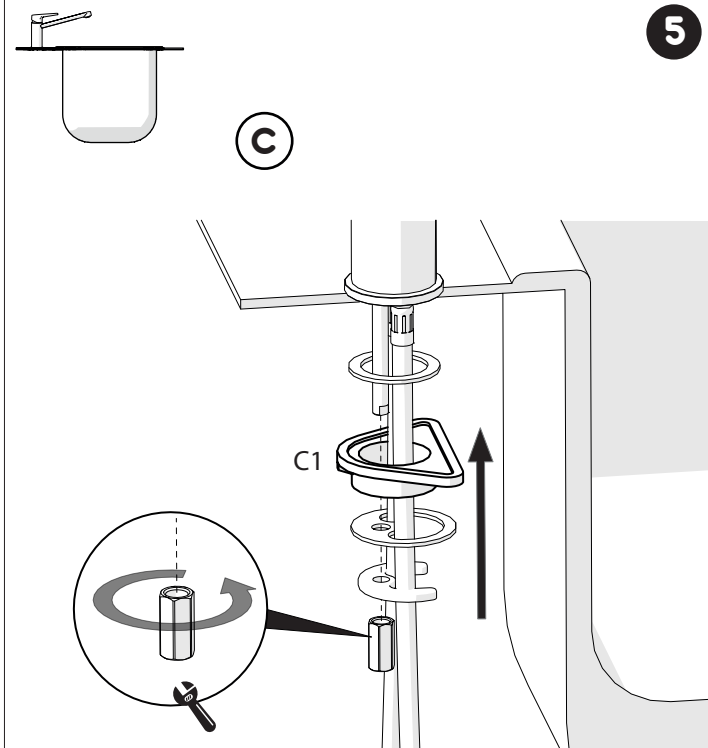
+



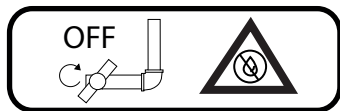
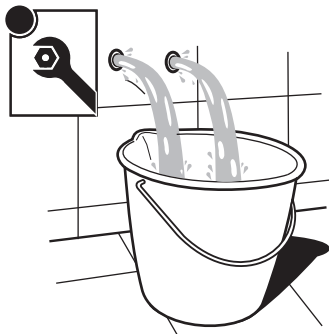
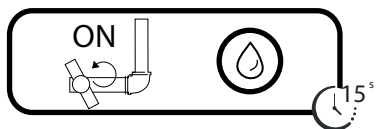
1



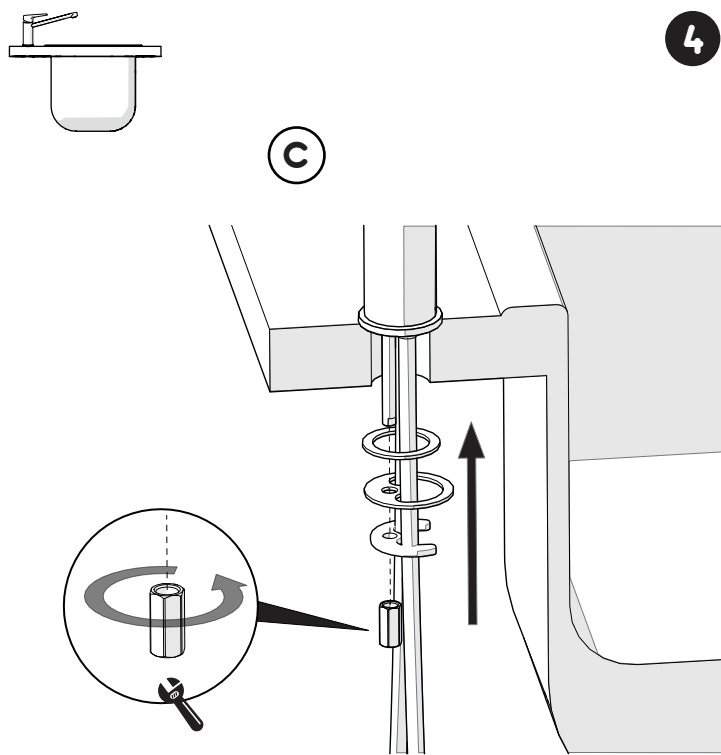
3



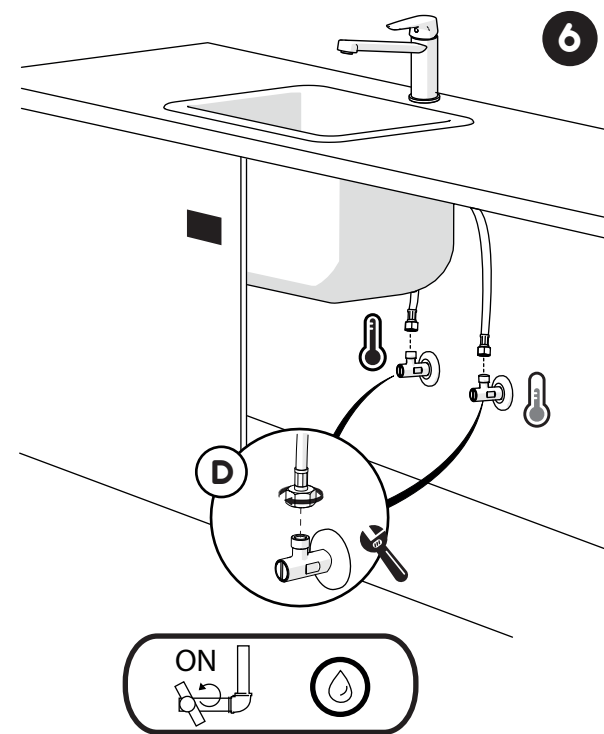
2

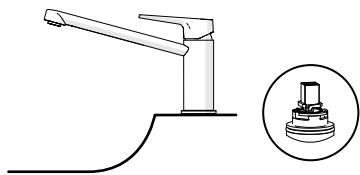


4

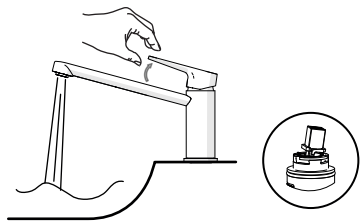


6

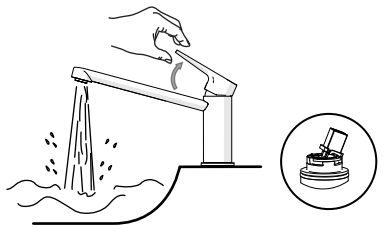




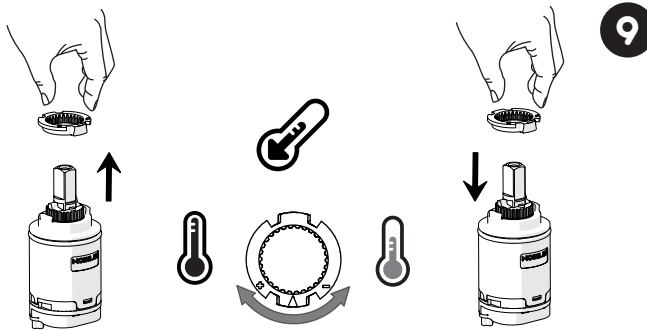
7



ON 50%



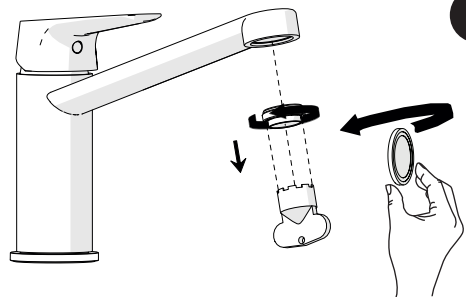
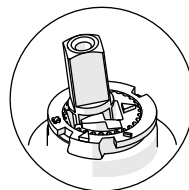
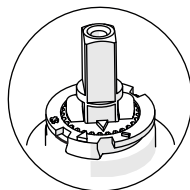
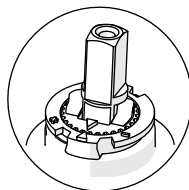
ON 100%



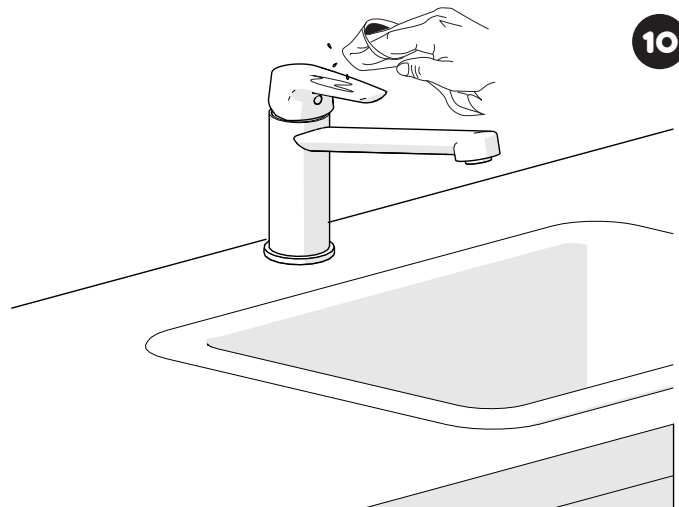
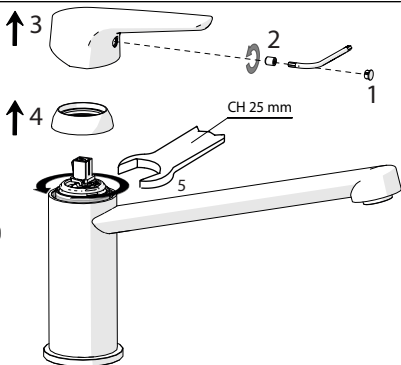
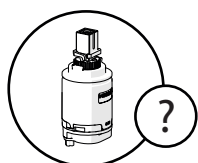
No limitation of temperature

Partial limitation of temperature

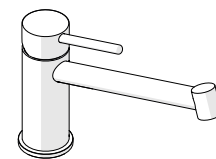
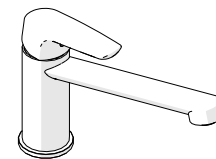
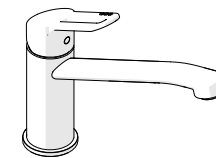
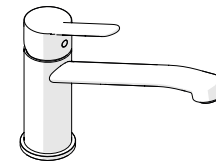
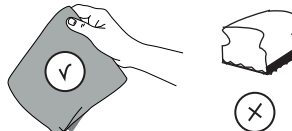
Maximum position Only cold water



8



10



IISTR00113/25#--STD

**NOBILIS**  
The Best Technology for Water

REV2.04/2014



[www.grupponobili.it](http://www.grupponobili.it)



Достоверную информацию уточняйте на [santehnica.ru](http://santehnica.ru).