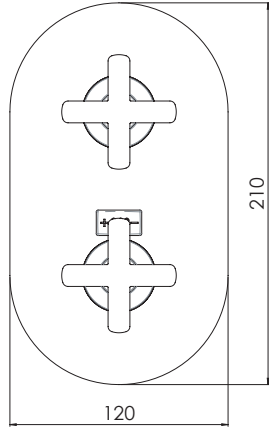
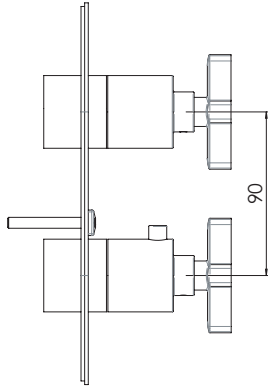




1



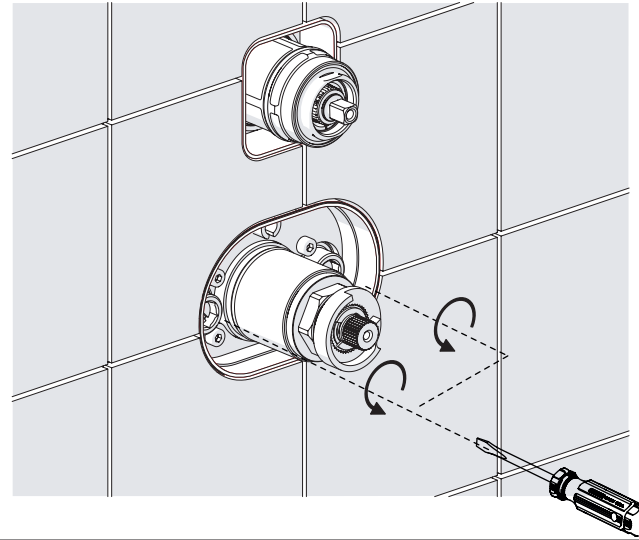
LR116102



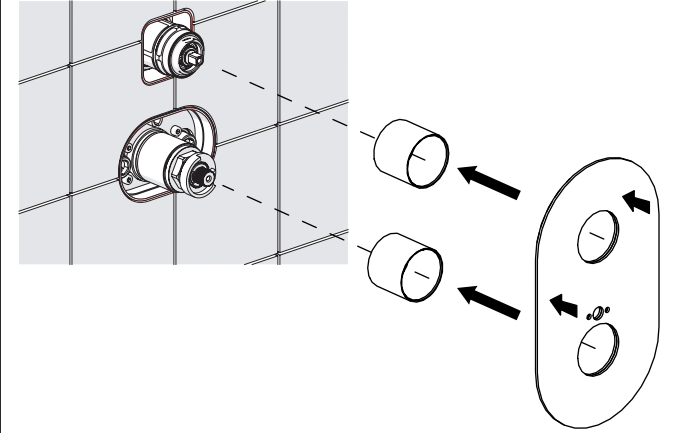
REF. MANUAL
WE00102



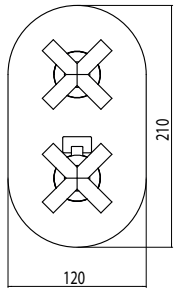
3



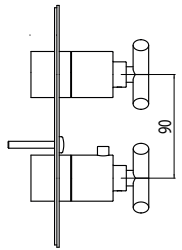
5



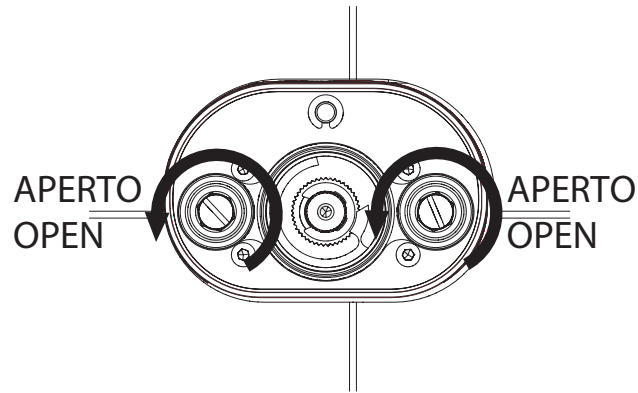
2



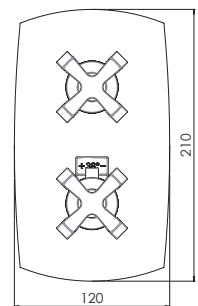
SP57102



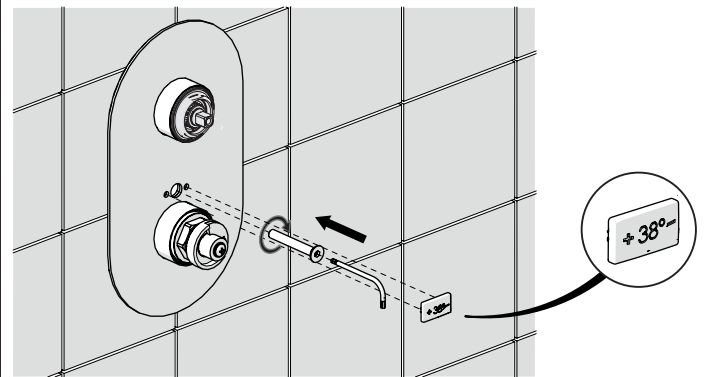
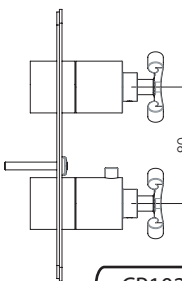
4

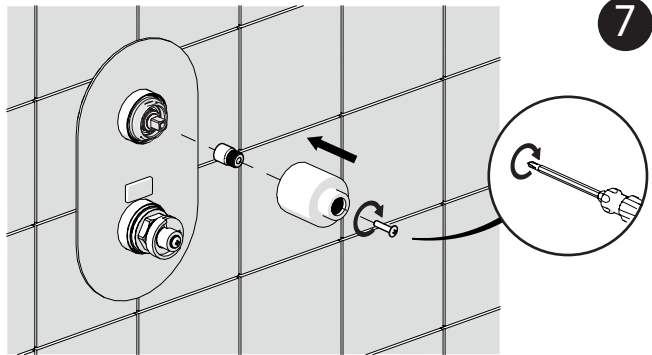


6

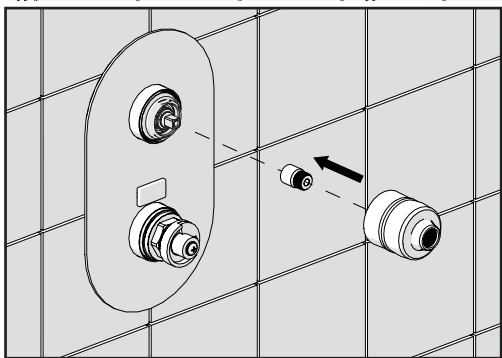


CP102



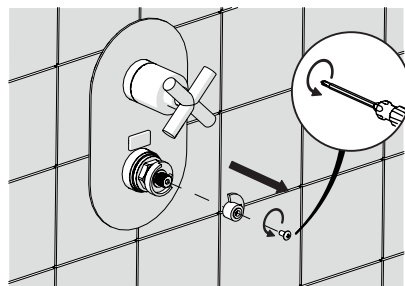


7

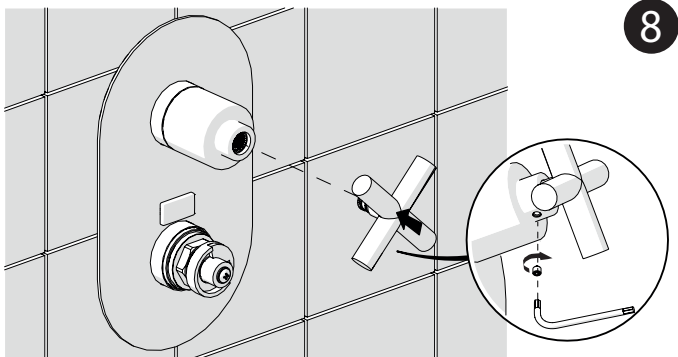
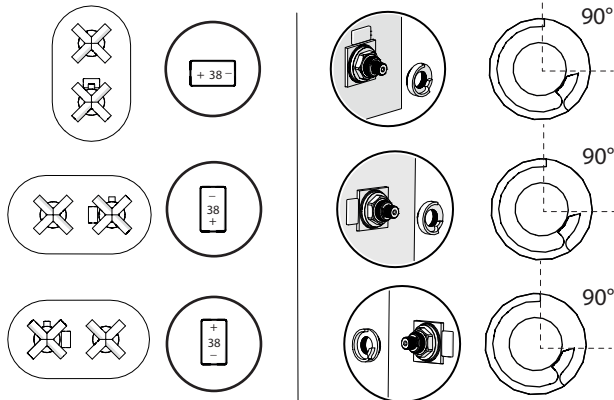


GRC5102

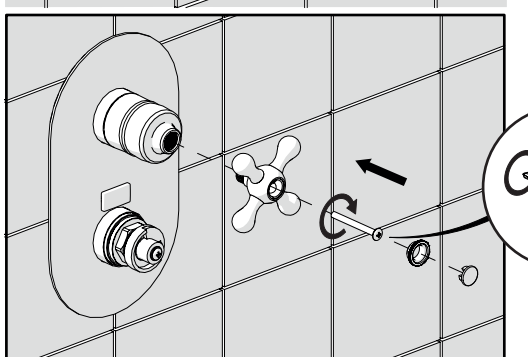
RI49102



9

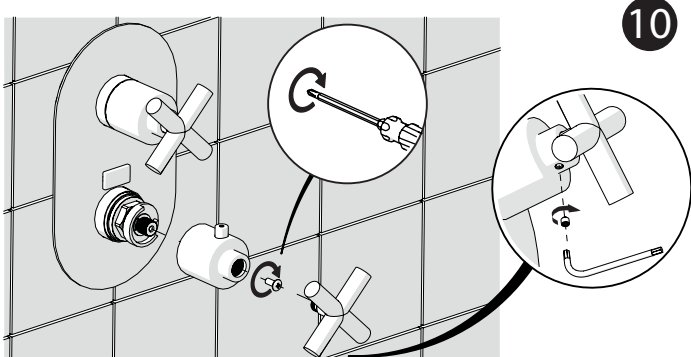


8

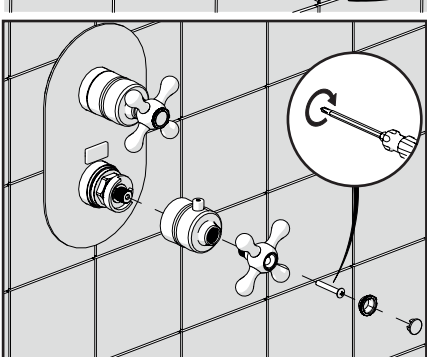


GRC5102

RI49102



10

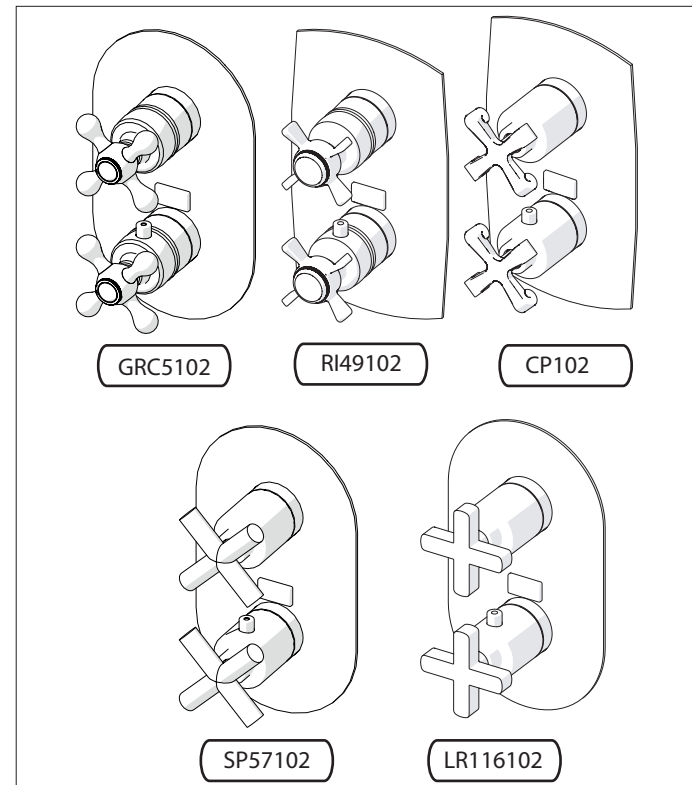


GRC5102

RI49102

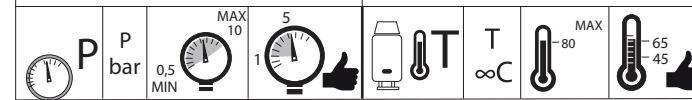
NOBILIS

The Best Technology for Water

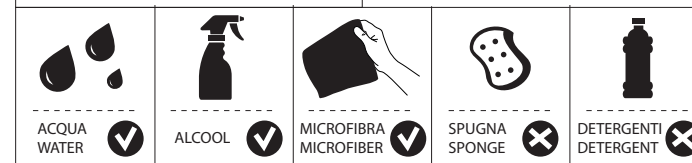


www.grupponobili.it

PRIMA DI INIZIARE / BEFORE STARTING



PULIZIA / CLEANING



IISTR00102/C#---STD



REV3.02/2018

Достоверную информацию уточняйте на santehnica.ru.