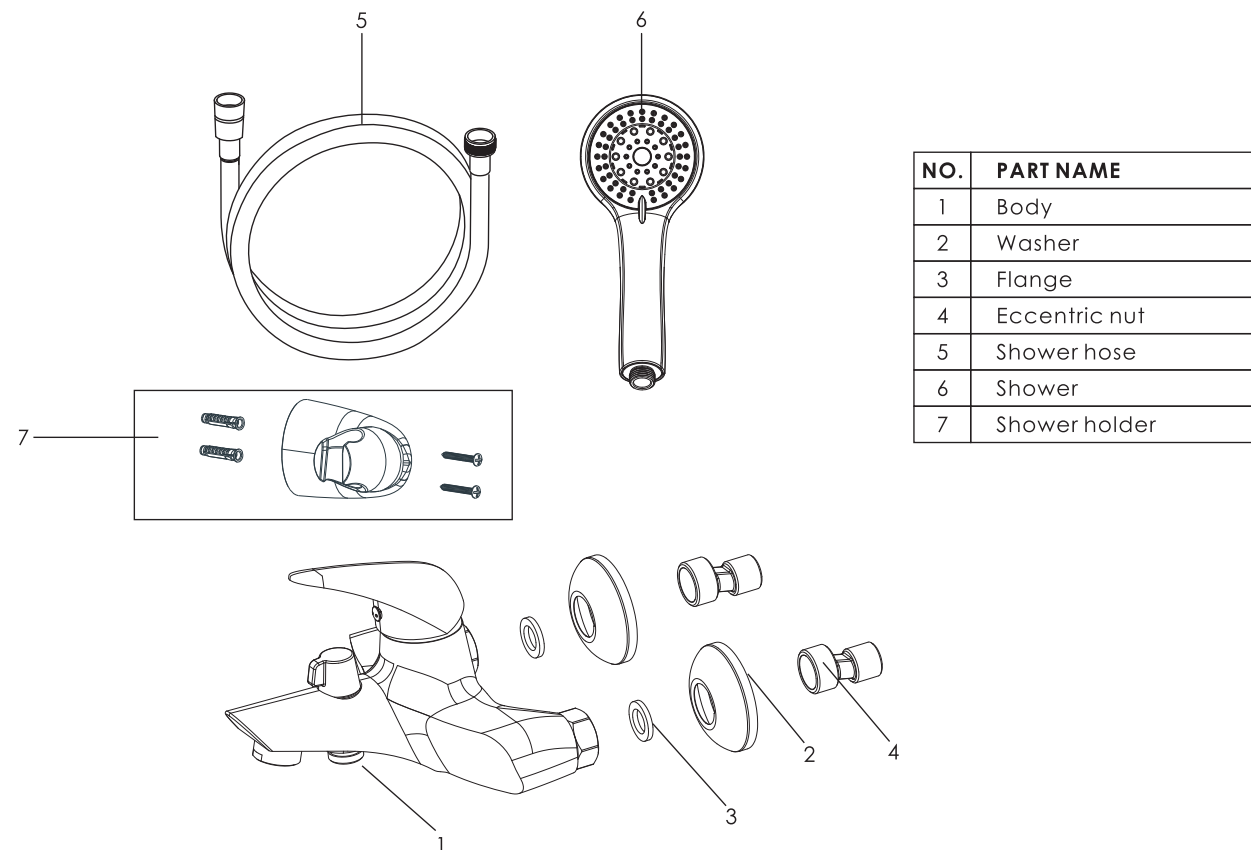


### Step 3 Cleaning and care

Daily cleaning and care are required in order to keep the product shining and properly working.

- 1 Clean it with water and dry it with soft cloth.
- 2 Clean the product with gentle liquid or glass cleaner.
- 3 Don't use acid cleaner.
- 4 Don't clean with abrasive material, abrasive paper or knife.

### Step 4 Parts list



NO.	PART NAME
1	Body
2	Washer
3	Flange
4	Eccentric nut
5	Shower hose
6	Shower
7	Shower holder

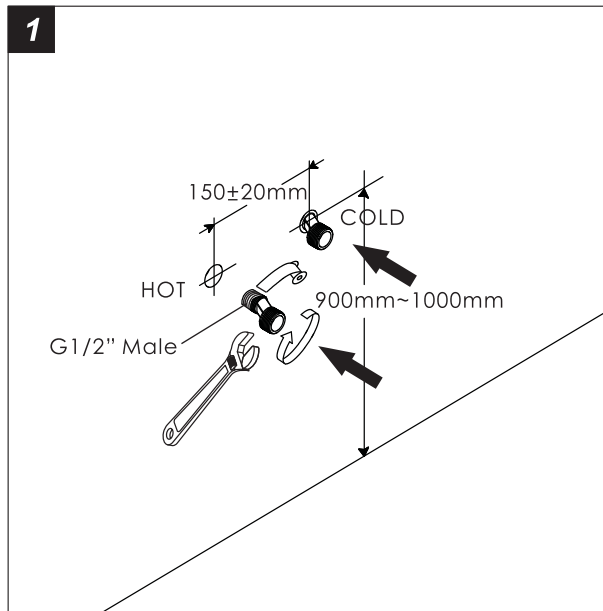


Attention:

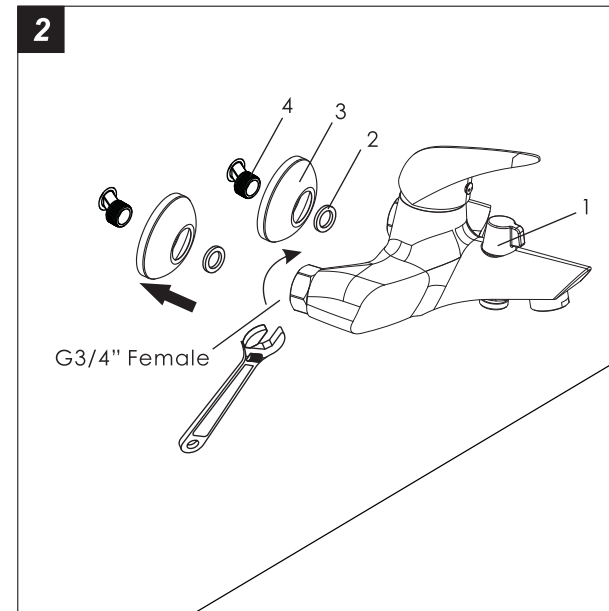
for easy installation, you will need:

- 1.To read all the installation instruction completely before beginning.
- 2.To read all the warning, attention and maintenance information.
- 3.To purchase the proper supply lines.

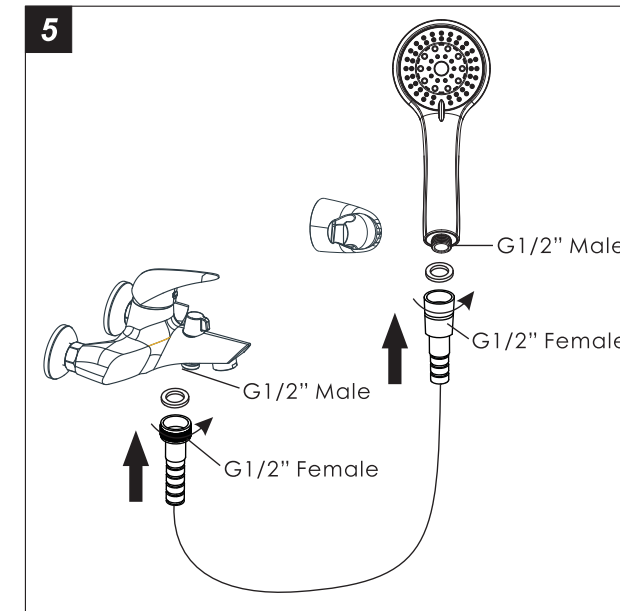
## Step 1 Faucet installation



Connect eccentric nuts with teflon tape to outlets. The distance between 2 outlets should be around 150 mm. The distance between outlets and ground should be 900mm-1000mm. Note: Hot water supply is on left side, and cold water supply is on right side.



Assemble flange #3 to eccentric nut #4. Then assemble body #1 with washer #2 to eccentric nut #4 by wrench.

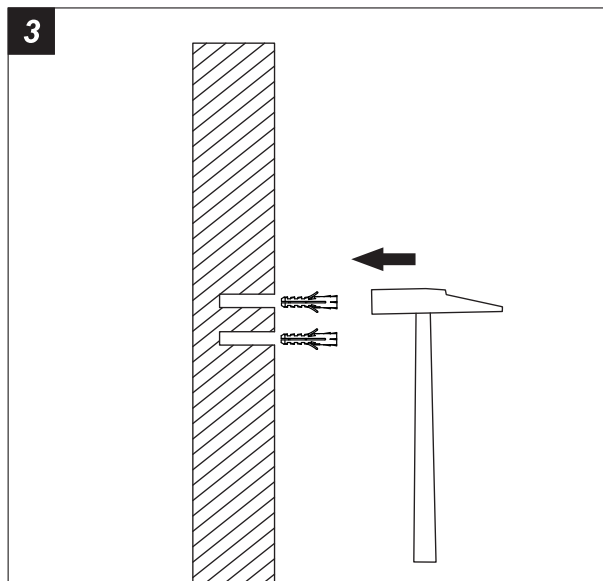
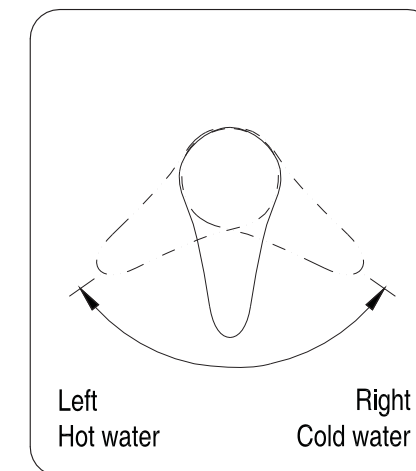
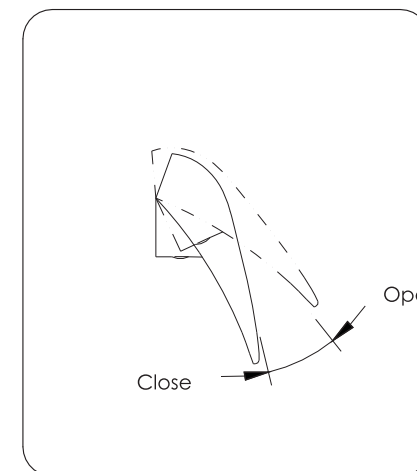


Assemble the shower, washer and shower hose to faucet.

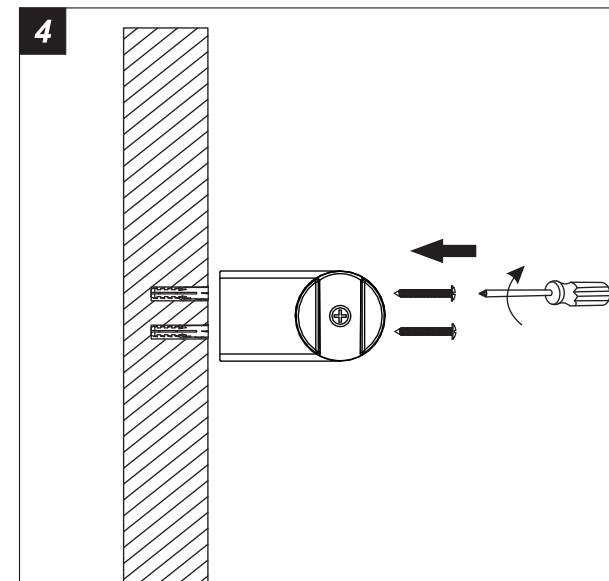
## Step 2 Usage

How to operate the handle

- 1) Raise the handle up for opening water ; push it down for close;
- 2) Turn the handle to the left to increase hot water flow for higher water temperature, and lower water temperature by operating reversely.



Put the plastic holders for screw into the holes with hammer.



Fix the screws to fixation base by screw driver.

