

## BINS

## Pedal-operated square bins



**PP1206 / PP1214**  
White finish



**PP1206C / PP1214C**  
Bright finish



**PP1206CS / PP1214CS**  
Satin finish

### General description

- Hands free foot pedal square bins with a self-closing lid, 6L (PP1206...) or 12L (PP1214...) of capacity for free standing, made in steel (PP1206 and PP1214) or in AISI 410 stainless steel (PP1206C, PP1206CS, PP1214C and PP1214CS).
- Suitable for lavatories and in-doors public areas with low/medium traffic (6L bins) or high traffic (12L bins).
- They come with an inner plastic leak proof rigid liner and have a tight fitting overlapping lid for maximum odor control and quiet operation.
- The bins have a metallic carrying handle for easy placement.
- With an anti-skid base that keeps the bin in place and isolated of the moisture.
- Round corners and smooth surfaces allow easy cleaning.
- Fully protected pedal mechanism through an anti-skid plastic base and a plastic over cover.

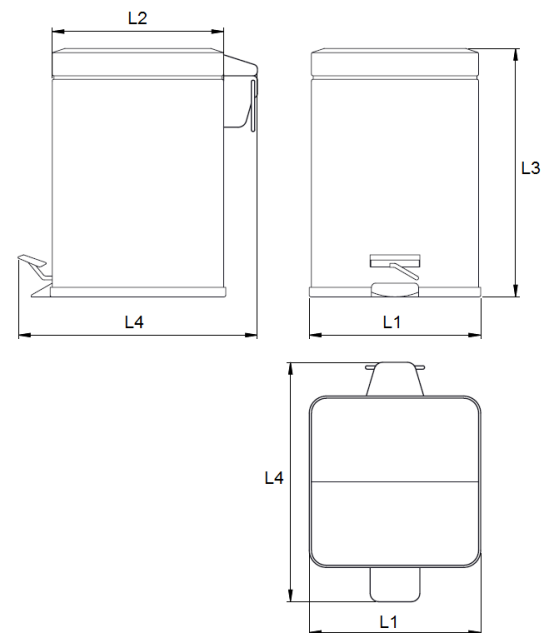
### Components and materials

- **PP1206:** 6 L of capacity foot pedal square bin made of steel, white finish.
- **PP1214:** 12L of capacity foot pedal square bin made of steel, white finish.
- **PP1206C:** 6 L of capacity foot pedal square bin made of AISI 410 stainless steel, bright finish.
- **PP1214C:** 12L of capacity foot pedal square bin made of AISI 410 stainless steel, bright finish.
- **PP1206CS:** 6 L of capacity foot pedal square bin made of AISI 410 stainless steel, satin finish.
- **PP1214CS:** 12L of capacity foot pedal square bin made of AISI 410 stainless steel, satin finish.
- **BODY:** made of steel (PP1206 and PP1214) or in AISI 410 stainless steel (PP1206C, PP1206CS, PP1214C and PP1214CS) square body, 0.4 mm thick, robust against hitting and misuse.
- **LID:** with self-closing system, made of steel (PP1206 and PP1214) or in AISI 410 stainless steel (PP1206C, PP1206CS, PP1214C and PP1214CS), 0.4 mm thick, anti-odor and quiet. The open/close system is based on a thermo-plastic hinge and operated by means of a pedal.
- **BASE:** made of black plastic and with an anti-skid system that keeps the bin in place and isolated of the moisture.
- **INNER LINER:** made of polypropylene with a metallic handle, 6 L (PP1206...) or 12L (PP1214...) of capacity.
- **PEDAL:** metallic with an anti-skid part made of black thermo-plastic assembled. Pressing it activates the lid opening.
- **HANDLE:** metallic and located in the upper back side. It allows a better transportation of the bin.

### Technical specifications

<b>Capacity</b>	6 L (PP1206...)
	12L (PP1214...)

### Dimensions



Dimensions: ± 4%

	L1 (mm)	L2 (mm)	L3 (mm)	L4 (mm)
PP1206...	200	200	290	280
PP1214...	238	238	380	318

### Operation

Press with the foot the pedal to activate the opening of the bin lid.

Mediclinics, S.A., reserves the right to make changes and/or modifications to the products and their specifications without prior notice  
Review 09-21 © mediclinics S.A.