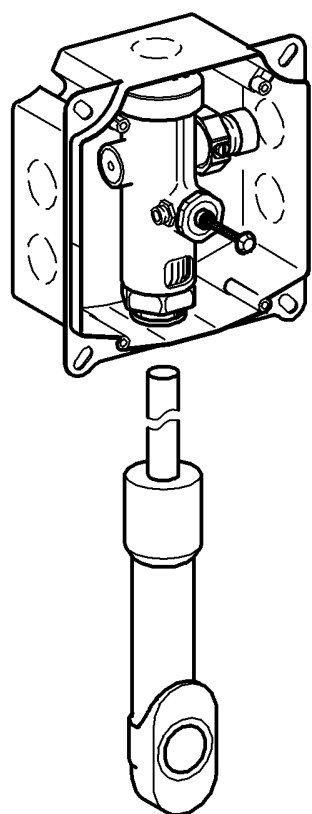


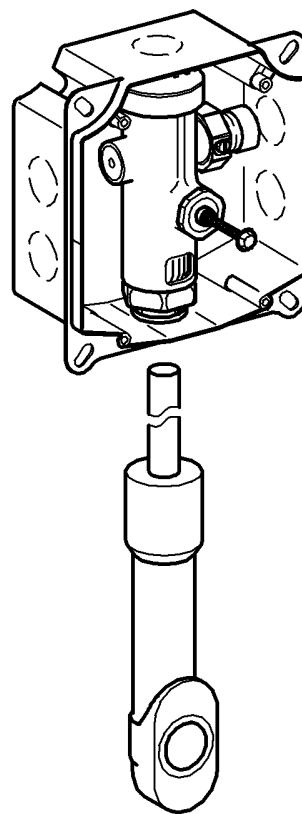
37 048



37 153

37 157

37 609



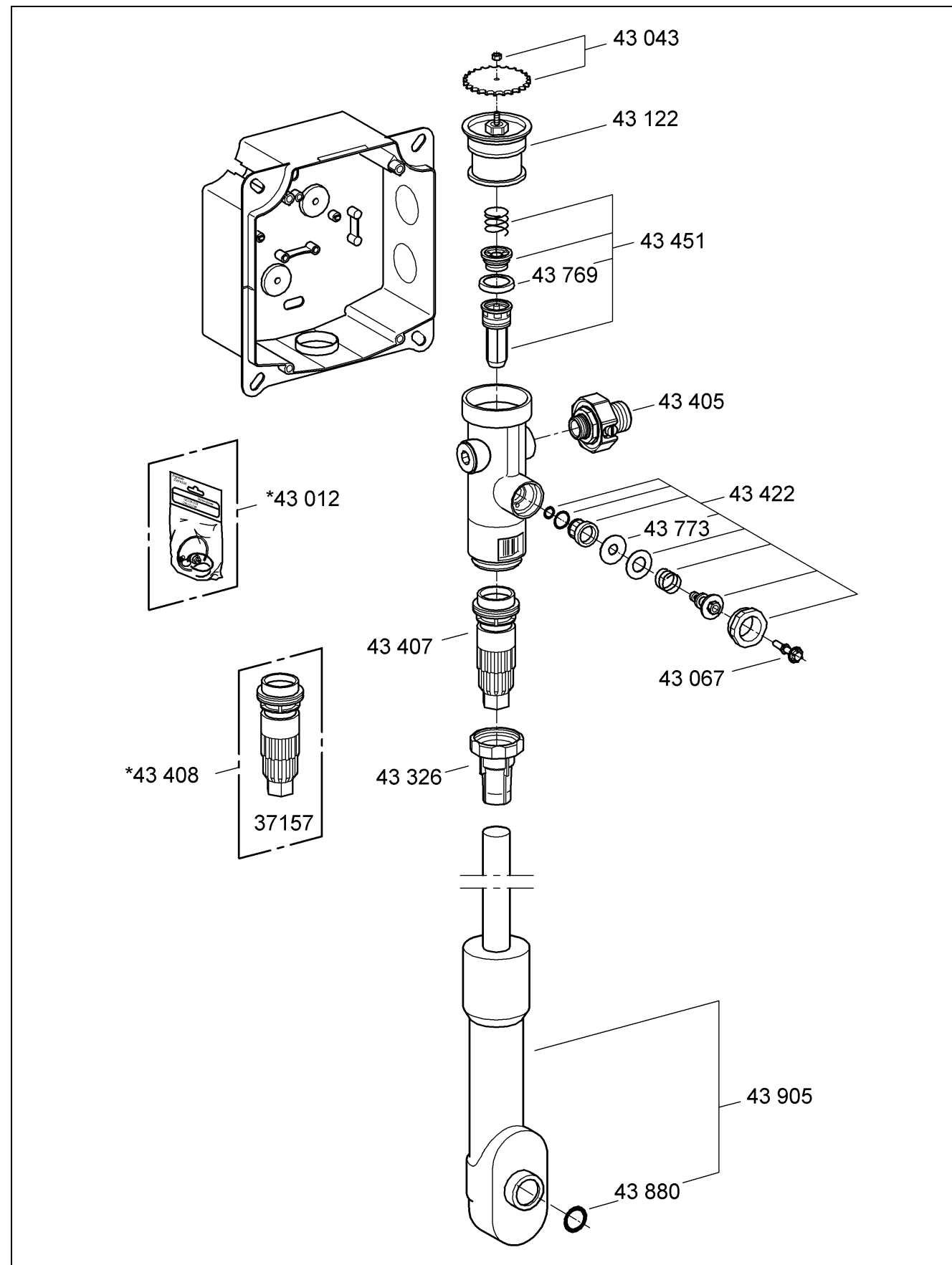
- D**1 **I**2
- GB**1 **NL**2
- F**1
- E**2

Design & Quality Engineering GROHE Germany

94.923.131/ÄM 211132/04.10

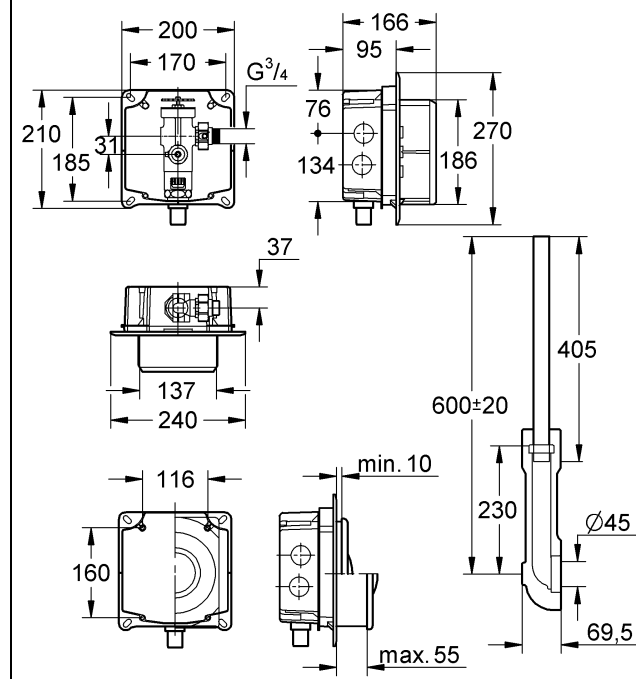


ENJOY WATER®

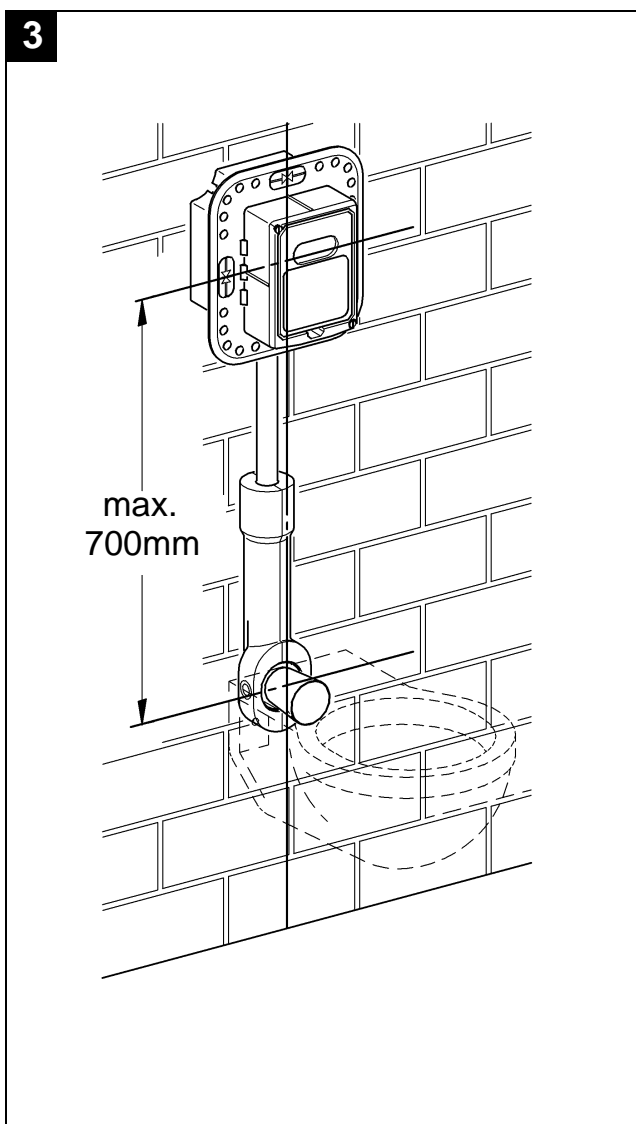
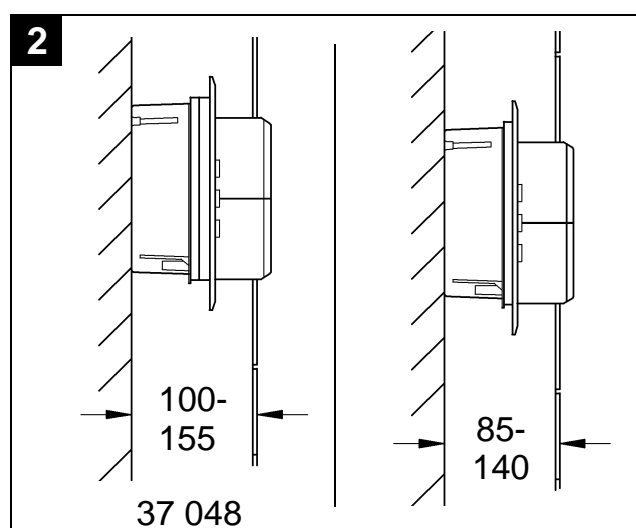
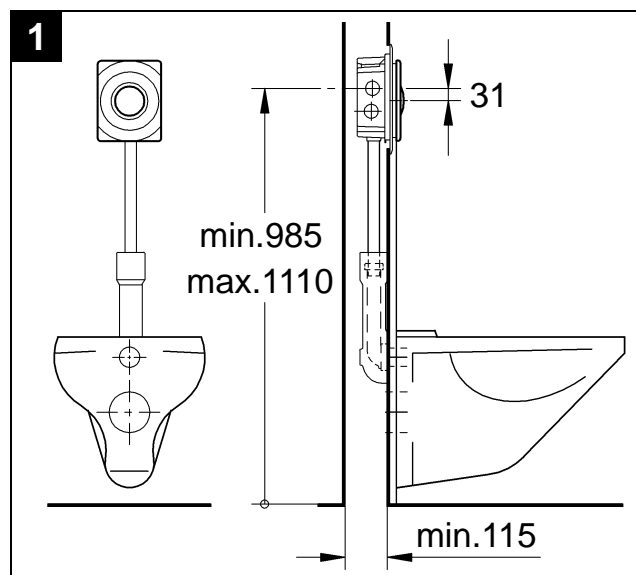
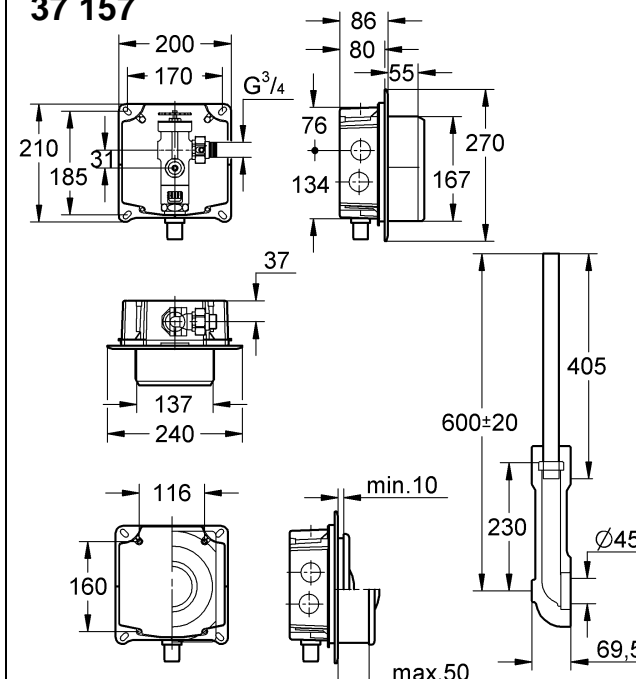


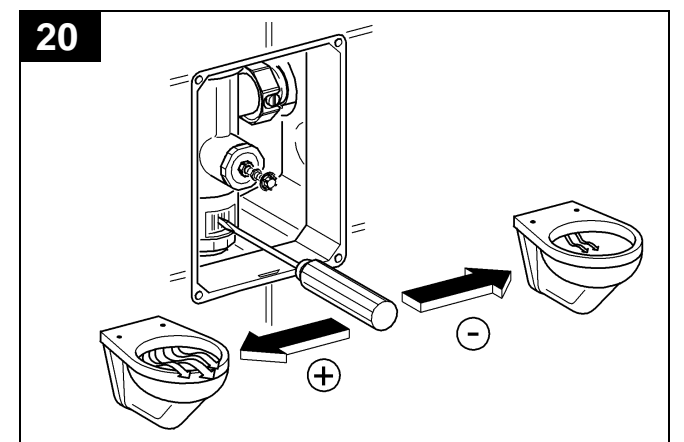
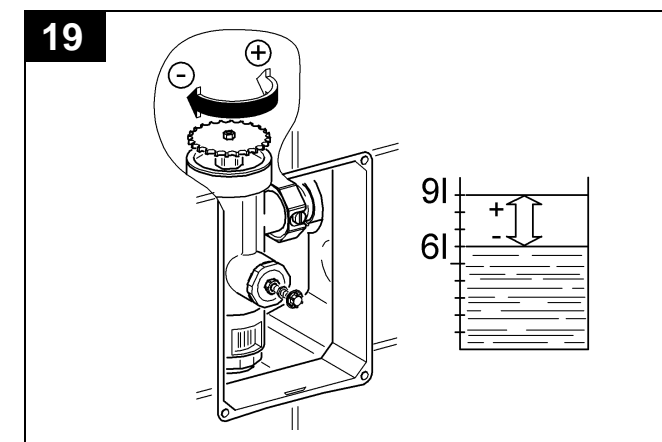
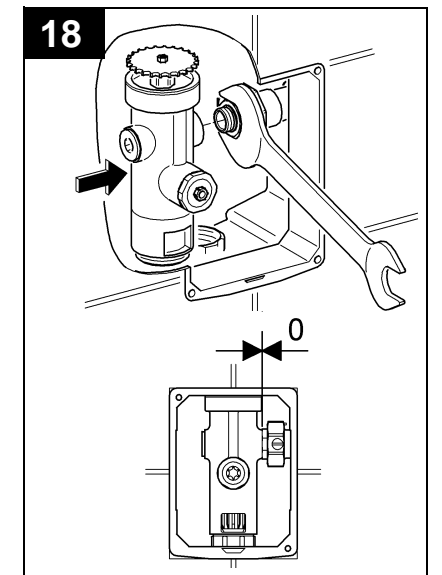
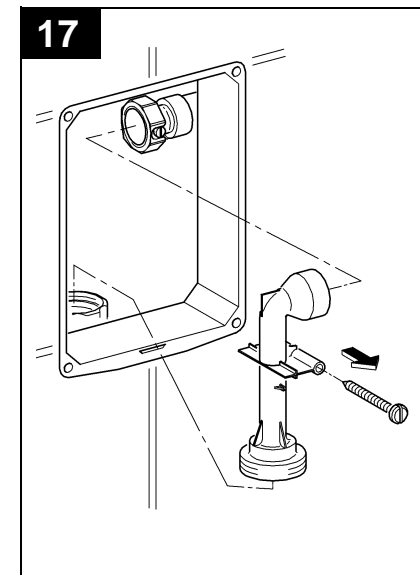
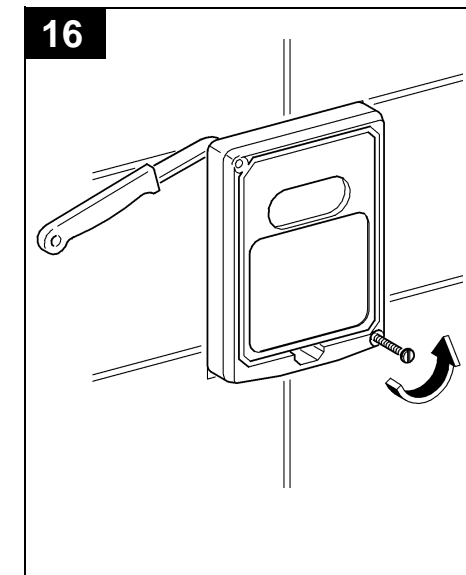
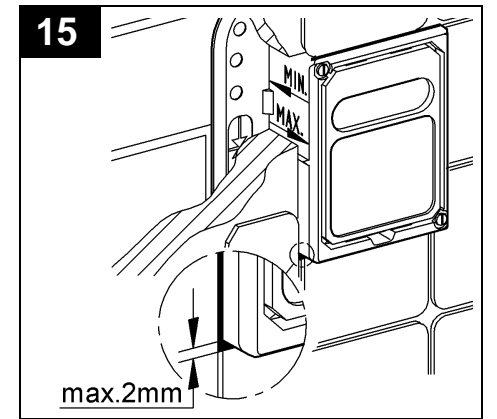
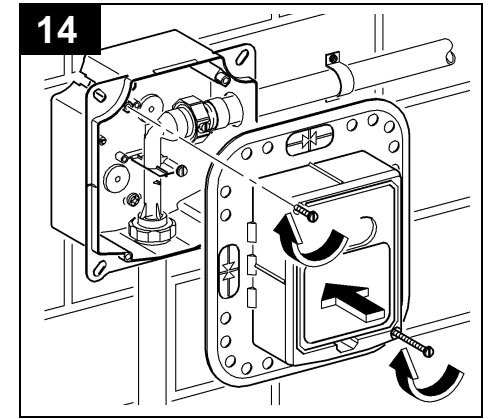
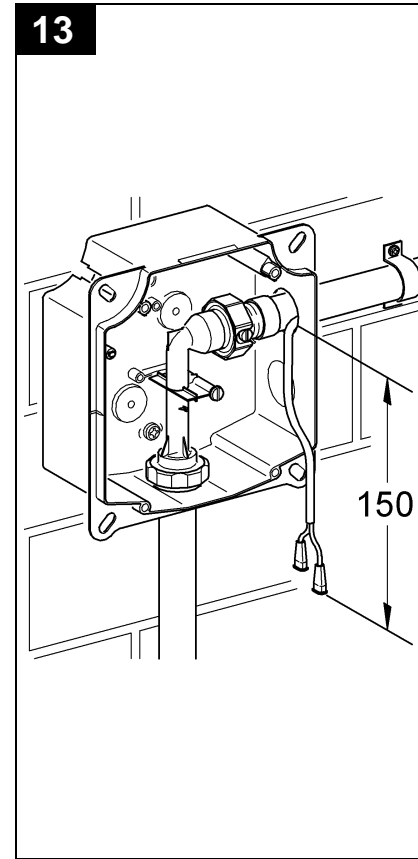
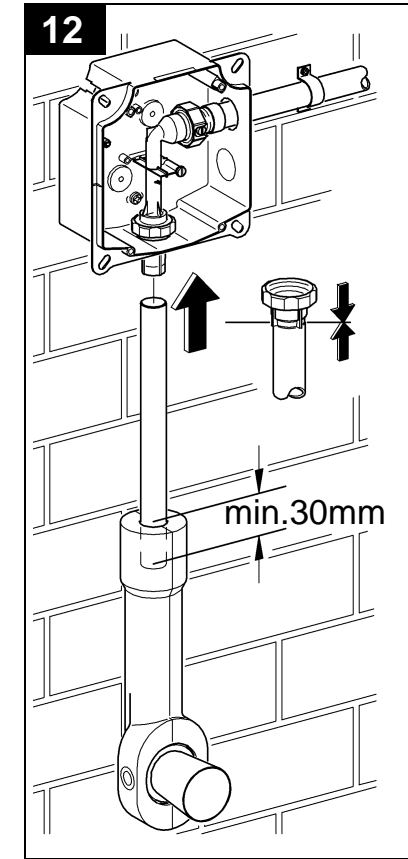
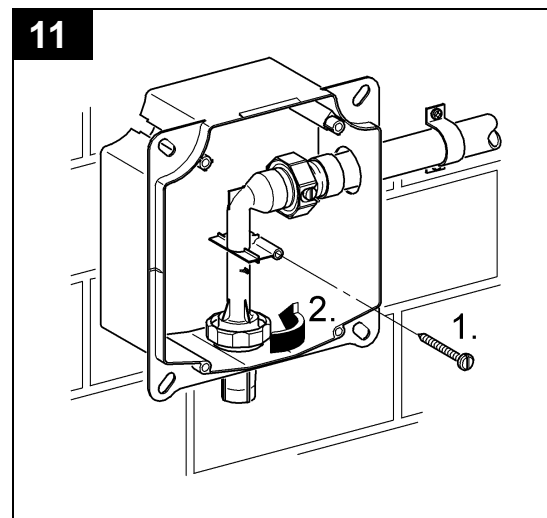
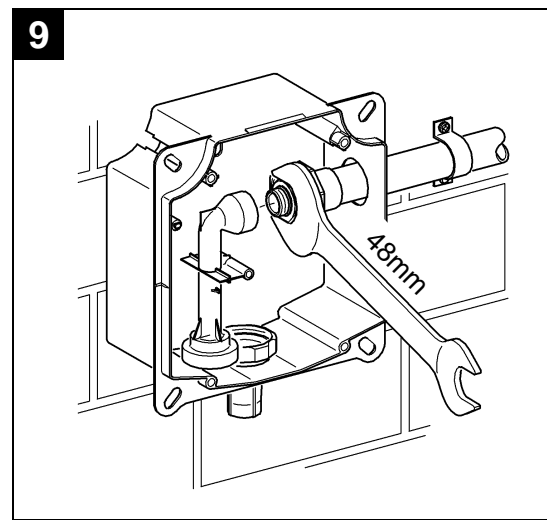
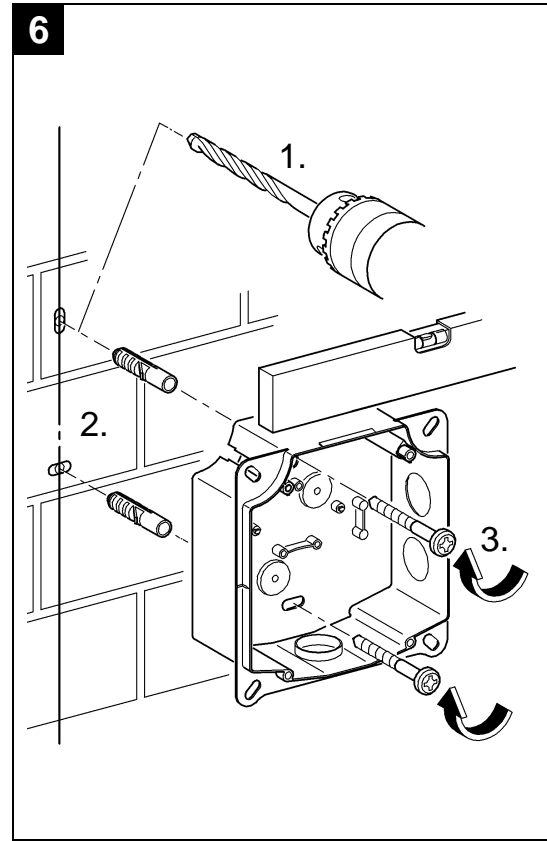
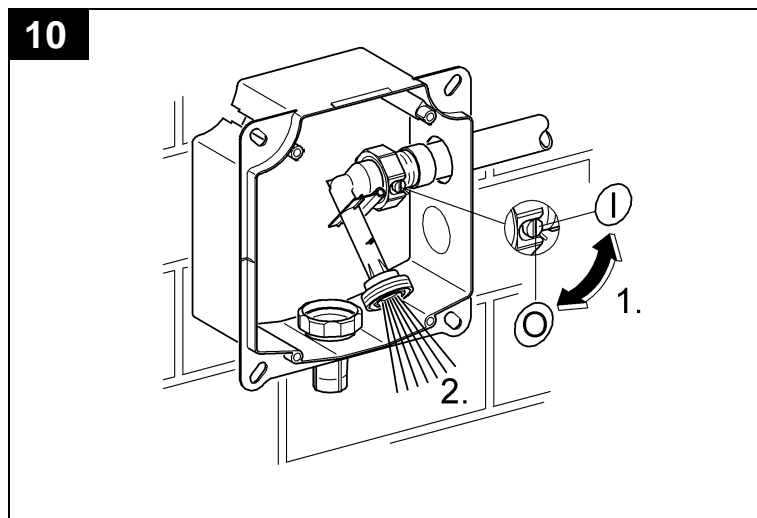
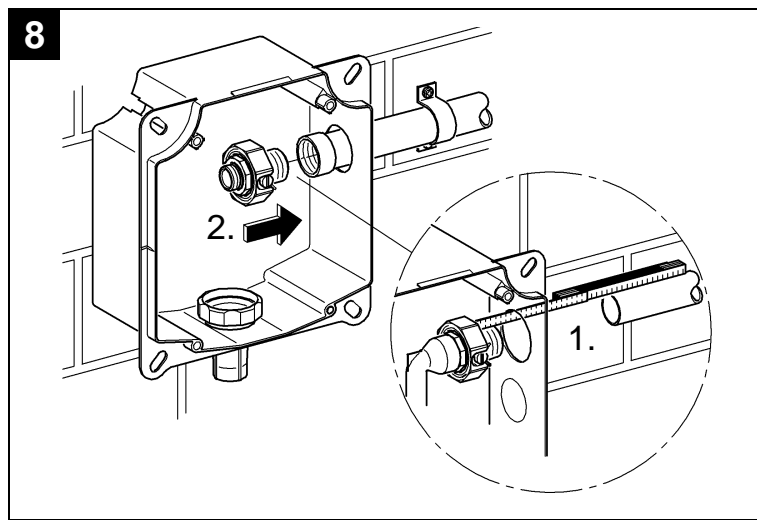
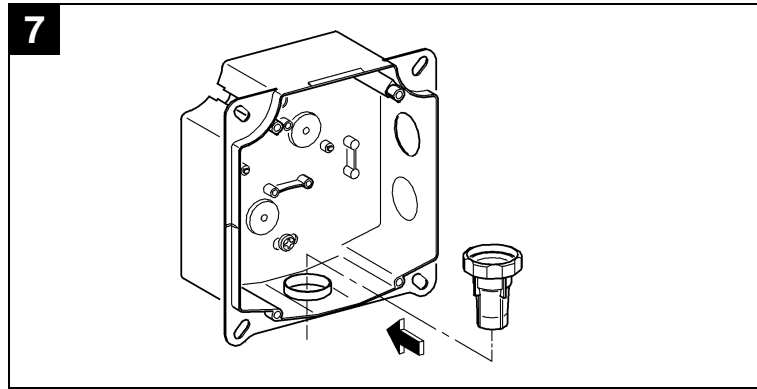
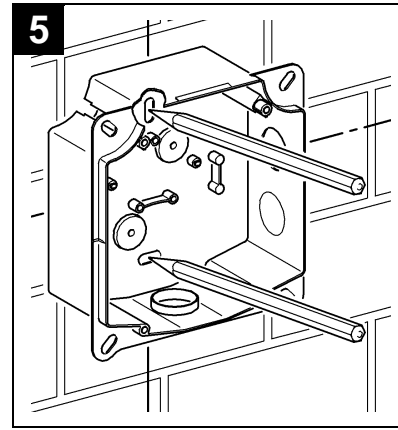
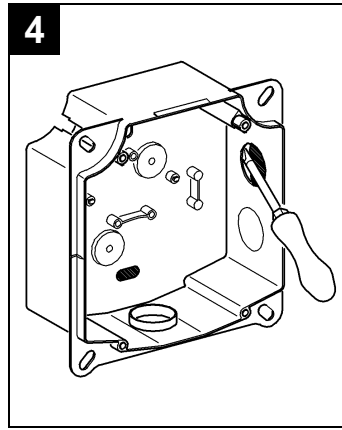
Bitte diese Anleitung an den Benutzer der Armatur weitergeben!
 Please pass these instructions on to the end user of the fitting!
 S.v.p remettre cette instruction à l'utilisateur de la robinetterie!

37 048



**37 153
37 157**





D

Funktionsteile der Armatur nicht einfetten

Störung	Ursache	Abhilfe
Dauerläufer	<ul style="list-style-type: none">• Düse verstopft• Kolbendichtung (A) beschädigt• Entlastungsventil (B) defekt	<ul style="list-style-type: none">- reinigen, Abb. 26- austauschen, Abb. 28- austauschen, Abb. 29
Keine Spülung oder Spülung zu kurz	<ul style="list-style-type: none">• Ledermanschette (C) ausgetrocknet oder beschädigt	<ul style="list-style-type: none">- aufweiten, Abb. 27 oder austauschen, Abb. 28
Wasser tritt am Entlastungsventil aus	<ul style="list-style-type: none">• Entlastungsventil (B) defekt	<ul style="list-style-type: none">- austauschen, Abb. 29

GB

Do not lubricate internal parts of the flush valve

Problem	Cause	Remedy
Valve does not close	<ul style="list-style-type: none">• Jet is clogged• Washer of piston (A) is defective• Relief valve (B) defective	<ul style="list-style-type: none">- clean, Fig. 26- exchange, Fig. 28- exchange, Fig. 29
No flush or flush too short	<ul style="list-style-type: none">• Leather washer (C) is dried out or defective	<ul style="list-style-type: none">- widen it, Fig. 27 or exchange, Fig. 28
Water comes out at relief valve	<ul style="list-style-type: none">• Relief valve (B) defective	<ul style="list-style-type: none">- exchange, Fig. 29

F

Ne pas graisser les pièces fonctionnelles du robinet

Dérangement	Cause	Elimination
Coule sans arrêt	<ul style="list-style-type: none">• Gicleur bouché• Joint de piston (A) endommagé• Soupape de décharge (B) défectueuse	<ul style="list-style-type: none">- nettoyer, fig. 26- remplacer, fig. 28- remplacer, fig. 29
Pas de rinçage ou rinçage trop court	<ul style="list-style-type: none">• Manchette en cuir (C) sèche ou endommagée	<ul style="list-style-type: none">- élargir, fig. 27 ou remplacer, fig. 28
L'eau jaillit sous la soupape de décharge	<ul style="list-style-type: none">• Soupape de décharge (B) défectueuse	<ul style="list-style-type: none">- remplacer, fig. 29

NL**Functionele onderdelen van de armatuur niet invetten**

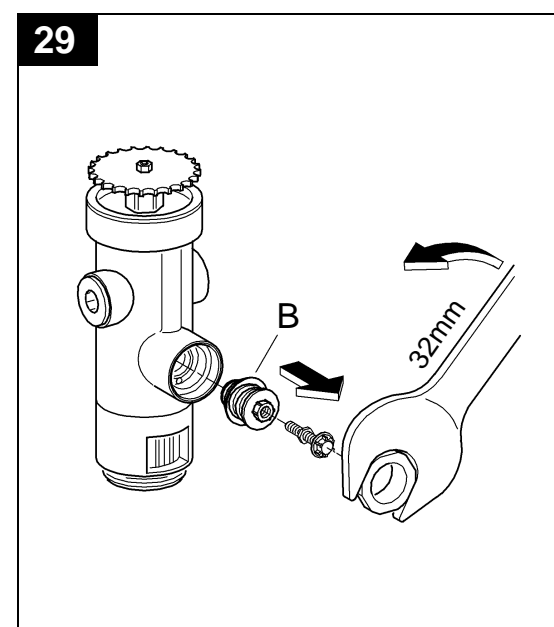
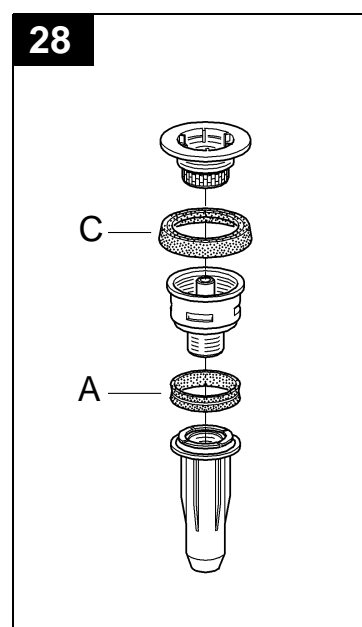
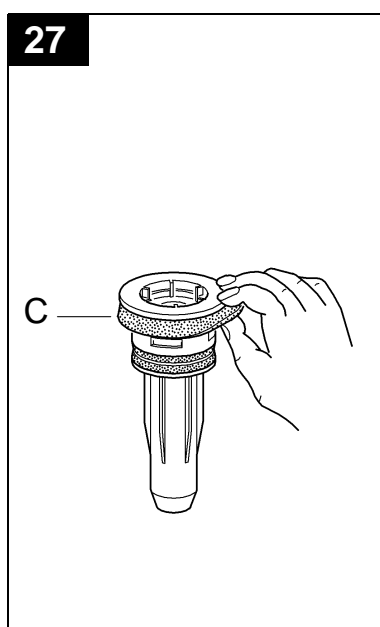
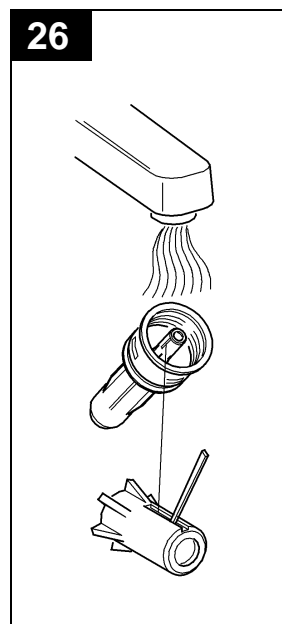
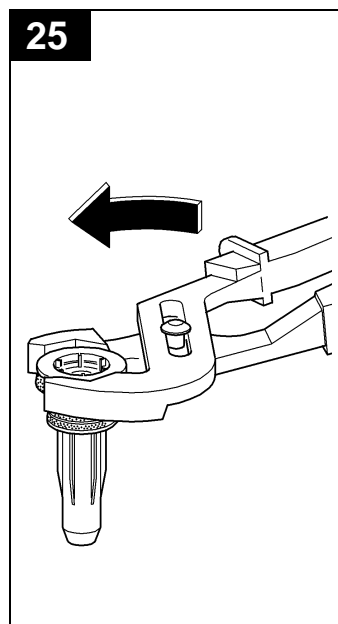
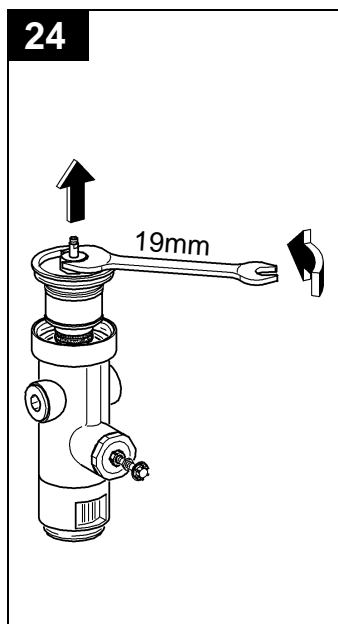
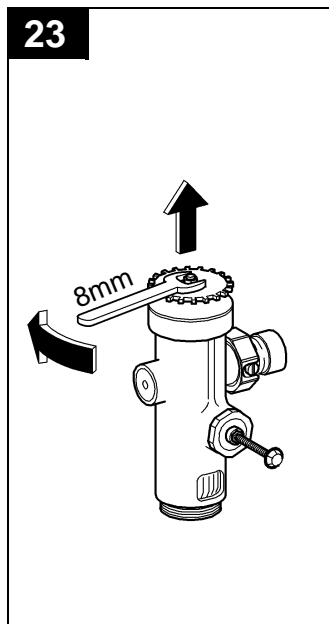
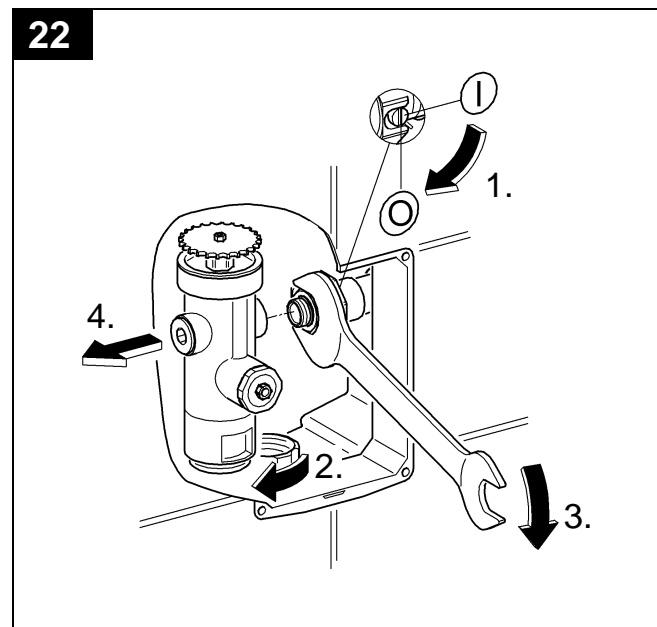
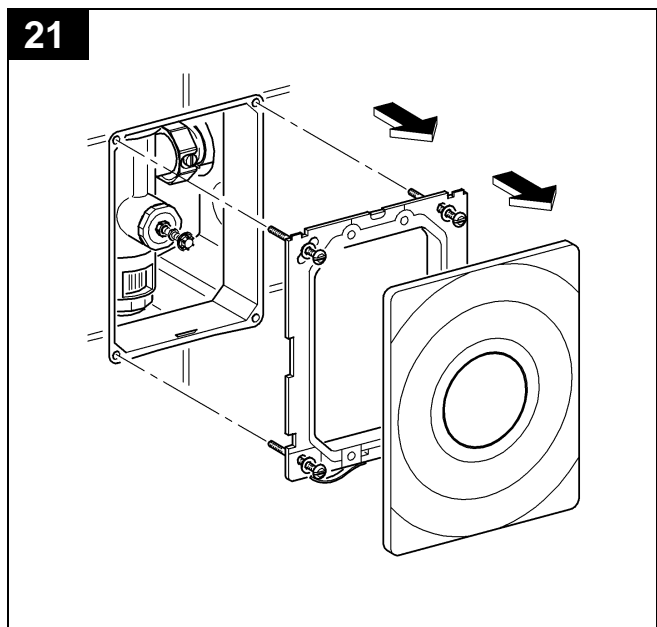
Storing	oorzaak	verhelpen
water blijft stromen	<ul style="list-style-type: none"> • sproeikop verstopt • dichting van de zuiger (A) beschadigd • ontlastklep (B) defect 	<ul style="list-style-type: none"> - reinigen, afb. 26 - vervangen, afb. 28 - vervangen, afb. 29
geen spoeling of spoeling te kort	<ul style="list-style-type: none"> • leren pakking (C) uitgedroogd of beschadigd 	<ul style="list-style-type: none"> - oprekken, afb. 27 - of vervangen, afb. 28
er komt water uit de ontlastklep	<ul style="list-style-type: none"> • ontlastklep (B) defect 	<ul style="list-style-type: none"> - vervangen, afb. 29

I**Non ingrassare le parti funzionanti dei raccordi**

Guasto	Causa	Rimedio
Erogazione continua	<ul style="list-style-type: none"> • Ugello otturato • Guarnizione pistone (A) difettosa • Valvola limitatrice (B) difettosa 	<ul style="list-style-type: none"> - pulire, fig. 26 - sostituire, fig. 28 - sostituire, fig. 29
Assenza di scarico o scarico troppo breve	<ul style="list-style-type: none"> • Guarnizione di cuoio (C) essiccata o danneggiata 	<ul style="list-style-type: none"> - allargare, fig. 27 - o sostituire, fig. 28
Perdita di acqua sulla valvola limitatrice	<ul style="list-style-type: none"> • Valvola limitatrice (B) difettosa 	<ul style="list-style-type: none"> - sostituire, fig. 29

E**No engrasar las partes funcionales de la grifería**

Avería	Causa	Solución
Funcionamiento permanente	<ul style="list-style-type: none"> • Tobera atascada • Em paquetadura del ém bolo (A) dañada • Válvula de descarga (B) estropeada 	<ul style="list-style-type: none"> - limpiar, fig. 26 - cambiar, fig. 28 - cambiar, fig. 29
No hay descarga o es muy breve	<ul style="list-style-type: none"> • Junta de cuero (C) seca o dañada 	<ul style="list-style-type: none"> - ensanchar, fig. 27 - o cambiar, fig. 28
Sale agua por la válvula de descarga	<ul style="list-style-type: none"> • Válvula de descarga (B) estropeada 	<ul style="list-style-type: none"> - cambiar, fig. 29





A series of 20 horizontal lines, evenly spaced, extending across the width of the page, intended for writing.

D

Grohe Deutschland
Vertriebs GmbH
Zur Porta 9
32457 Porta Westfalica
Tel.: +49 571 3989-333
Fax: +49 571 3989-999

A

GROHE Ges.m.b.H.
Wienerbergstraße 11/A7
1100 Wien
Tel.: +43 1 68060
Fax: +43 1 6884535

B

GROHE nv - sa
Diependaalweg 4a
3020 Winksele
Tel.: +32 16 230660
Fax: +32 16 239070

BG

Търговско представителство
Grohe AG България
Бизнес център Слатина
Ул. Слатинска 1
1574 София
Тел.: +359 2 9719959
+359 2 9712535
Факс.: +359 2 9712422

CDN

GROHE Canada Inc.
1230 Lakeshore Road East
Mississauga, Ontario
Canada, L5E 1E9
Tel.: +1 905 2712929
Fax: +1 905 2719494

CH

Grohe Switzerland SA
Oberfeldstrasse 14
8302 Kloten
Tel.: +41 44 8777300
Fax: +41 44 8777320

CN

高仪 (上海)
卫生洁具有限公司
宁桥路615号
201206 上海
中华人民共和国
电话: +86 21 50328021
传真: +86 21 50550363

CY

GROME Marketing (Cyprus) Ltd.
195B, Old Nicosia-Limassol Road
Dhali Industrial Zone
P.O. Box 27048
1641 Nicosia
Tel.: +357 22 465200
Fax: +357 22 379188

CZ SK

Grohe ČR s.r.o.
Zastoupení pro ČR a SR
V Oblouku 104, Čestlice
252 43 Průhonice
Tel.: +420 22509 1082
Fax: +420 22509 1085

DK

GROHE A/S
Walgerholm 11
3500 Værløse
Tel.: +45 44 656800
Fax: +45 44 650252

E

GROHE España S.A.
C/ Botanica, 78 - 88
Gran Via L'H - Distr. Econòmic
08908 L'Hospitalet de Llobregat
(Barcelona)
Tel.: +34 93 3368850
Fax: +34 93 3368851

EST LT LV

GROHE AG Eesti filiaal
Tartu mnt 16
10117 Tallinn
Tel.: +372 6616354
Fax: +372 6616364

F

GROHE s.à.r.l.
60, Boulevard de la Mission
Marchand
92400 Courbevoie - La Défense
Tel.: +33 1 49972900
Fax: +33 1 55702038

FIN

Oy Teknocalor Ab
Sinikellonkuja 4
01300 Vantaa
Tel.: +358 9 8254600
Fax: +358 9 826151

GB

GROHE Limited
Blays House, Wick Road
Englefield Green
Egham, Surrey, TW20 0HU
Tel.: +44 871 200 3414
Fax: +44 871 200 3415

GR

N. Sapountzis S.A.
86, Kapodistriou & Roumelis Str.
142 35 N. Ionia - Athens
Tel.: +30 210 2712908
Fax: +30 210 2715608

H

GROHE Hungary Kft.
Röppentyü u. 53.
1139 Budapest
Tel.: +36 1 238 80 45
Fax: +36 1 238 07 13

HR

GROHE AG - Predstavništvo
Štefanovečka 10
10000 Zagreb
Tel.: +385 1 2989025
Fax: +385 1 2910962

I

GROHE S.p.A.
Via Castellazzo Nr. 9/B
20040 Cambiago (Milano)
Tel.: +39 2 959401
Fax: +39 2 95940263

IND

Grohe India Private Limited
The Great Eastern Centre
Gesco Corporate Centre
70 Nehru Place
New Dehli 110019
Tel.: +91 11 5561 9423 / 9513
Fax: +91 11 5561 9451

IS

BYKO hf.
Skemmuvegi 2
200 Kópavogur
Tel.: +354 515 4000
Fax: +354 515 4099

J

Grohe Japan Ltd.
TRC Building, 3F
1-1 Heiwajima 6-chome, Ota-ku
Tokyo 143-0006
Tel.: +81 3 32989730
Fax: +81 3 37673811

N

GROHE A/S
Nils Hansens vei 20
0667 Oslo
Tel.: +47 22 072070
Fax: +47 22 072071

NL

GROHE Nederland BV
Metaalstraat 2
2718 SW Zoetermeer
Tel.: +31 79 3680133
Fax: +31 79 3615129

P

GROHE Portugal
Componentes Sanitários, Lda.
Rua Arq. Cassiano Barbosa, 539
1.º Frente Esquerdo
4100-009 Porto
Tel.: +351 22 543 29 80
Fax: +351 22 543 29 99

PL

GROHE Polska Sp. z o.o.
Pulawska 182 Street
02-670 Warszawa
Tel.: +48 22 5432 640
Fax: +48 22 5432 650

RUS

Представительство
Grohe AG
Москва, ул. Русаковская 13, стр. 1
1107140
тел.: +7 495 9819510
факс: +7 495 9819511

RO

Grohe AG Reprezentanta
Strada Nicolae Iorga 13,
Corp B
010432 Bucuresti (Sector 1)
Tel.: +40 21 2125050
Fax: +40 21 2125048

S

GROHE A/S
Kungsängsvägen 25
753 23 Uppsala
Tel.: +46 771 141314
Fax: +46 771 141315

SLO

GROSAN inženiring d.o.o.
Slandrova 4
1000 Ljubljana
Tel.: +386 1 5633060
Fax: +386 1 5633061

TR

GROME İc ve Dis Ticaret Ltd. Sti.
Bagdat Cad. Ugras Parlar Is
Merkezi No: 605, B Blok D: 12 - 15
34846 Cevizli - Maltepe-Istanbul
Tel.: +90 216 4412370
Fax: +90 216 3706174

UA

Представництво
Grohe AG в Україні
Вул. Івана Франка, 18-А
01030 Київ
тел.: +38 044 537 52 73
факс: +38 044 590 01 96

USA

GROHE America Inc.
241 Covington Drive
Bloomington
Illinois, 60108
Tel.: +1 630 5827711
Fax: +1 630 5827722

Eastern Mediterranean**Middle East - Africa****Area Sales Office:**

GROME Marketing (Cyprus) Ltd.
195B, Old Nicosia-Limassol Road
Dhali Industrial Zone
P.O. Box 27048
1641 Nicosia
Tel.: +357 22 465200
Fax: +357 22 379188

Far East Area Sales Office:

GROHE Pacific Pte. Ltd.
438 Alexandra Road
06-01/04 Alexandra Point
Singapore 119958
Tel.: +65 6376 4500
Fax: +65 6378 0855

GROHE

ENJOY WATER®

www.grohe.com

Достоверную информацию уточняйте на santehnica.ru.