

AXOR ShowerSolutions

Hand shower 120 3jet EcoSmart

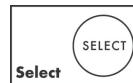
Finish: **Matt Black** Article Number: **26051670**



product features

- shower head size: 125 mm
- spray type: Rain, RainAir, WhirlAir
- convenient spray selection via Select button
- maximum flow rate at 3 bar: 9 l/min
- minimum flow pressure: 1,5 bar
- hand shower with 2-shell construction
- with internal water conduction
- rinseable screen seal
- connection thread G 1/2
- suitable for continuous flow water heaters

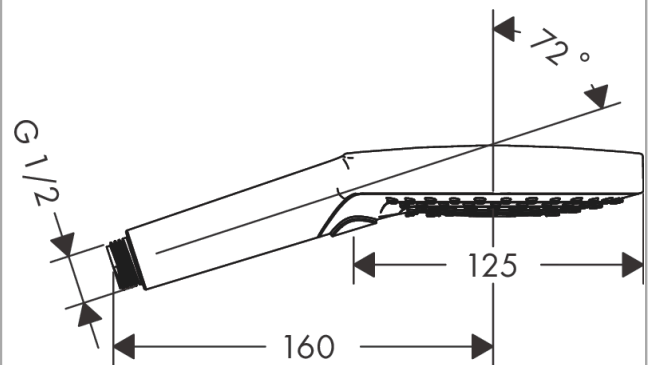
Technology



Product image



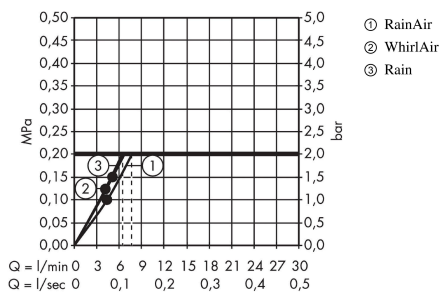
Scale drawing



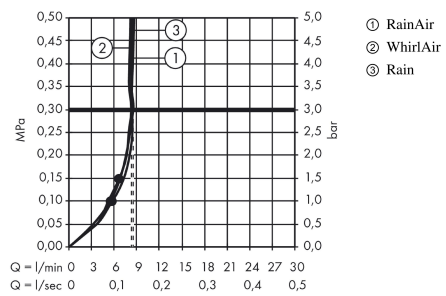
AXOR ShowerSolutions
Hand shower 120 3jet EcoSmart
 Finish: **Matt Black** Article Number: **26051670**



Flowchart



The consumption was measured in combination with the appropriate fittings (thermostat/mixer/in-wall valve) to reflect actual application in practice.



The consumption was measured in combination with the appropriate fittings (thermostat/mixer/in-wall valve) to reflect actual application in practice.