

**AXOR One**  
**Overhead shower 280 1jet with ceiling connection**  
 Finish: **Matt White** Article Number: **48493700**



### product features

- consists of: overhead shower, ceiling connector
- shower head size: 280 mm
- spray type: PowderRain and Rain in combination
- ball-joint: overhead shower angle adjustable
- material spray disc: metal
- brass ceiling connector
- ceiling connection length: 117 mm
- maximum flow rate at 3 bar: 12,2 l/min
- flow rate PowderRain and Rain spray in combination (at 3 bar): 12,2 l/min
- function from: 9,2 l/min
- minimum flow pressure: 1,4 bar
- overhead shower removable for cleaning
- installation: ceiling
- connection thread G ½
- connection dimension: DN15
- suitable for continuous flow water heaters

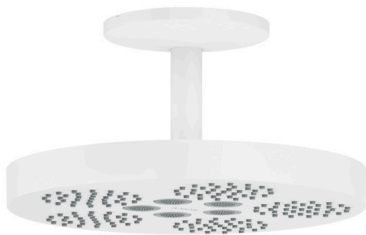
### Technology



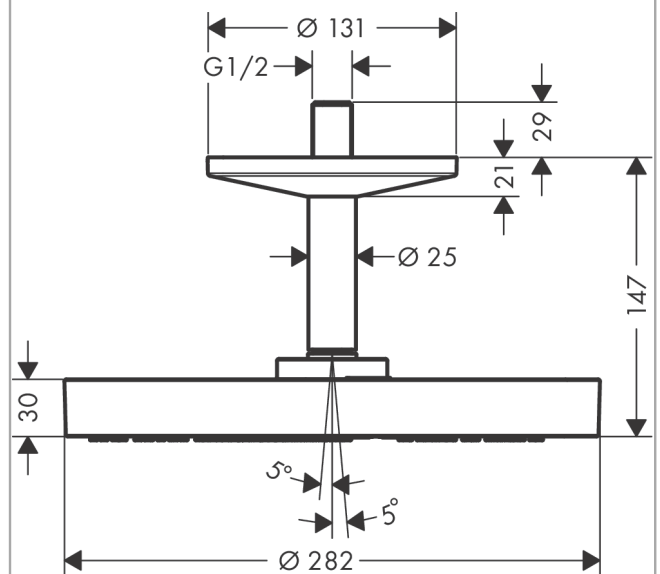
### Design awards



### Product image



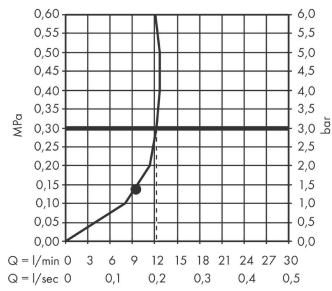
### Scale drawing



**AXOR One**  
**Overhead shower 280 1jet with ceiling connection**  
 Finish: **Matt White** Article Number: **48493700**



## Flowchart



The consumption was measured in combination with the appropriate fittings (thermostat/mixer/in-wall valve) to reflect actual application in practice.